



Bürkert Pacific

Hygienic connections



Contents

- 02 Introduction
- 03 Clamps & connectors
- 06 Inline sight glass flow indicators
- 08 Check valves (disc, ball & eccentric)
- 10 Hose for hygienic processes
- 11 Hose unions, reusable
- 13 Reference: standard pipe dimensions
- 14 Complete hygienic solution



Local Food, Dairy, Pharma, Biotech Connections

Bürkert has a complete portfolio of technologies for hygienic processing. Linking standard sanitary valves, valves with customised configurations, sensors and controllers all designed specially for use in hygienic environments.

In this brochure, Hygienic Connection, we demonstrate the alliance between Bürkert and BBS Systems of Switzerland with a focus on the connectors that we use in the Pacific region.

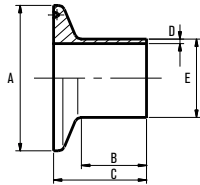
Therefore we have focused on ASME standards, leaving out the SMS, DIN and other products available. We've further identified the products we think most applicable to our local industry to produce a quick, simple reference guide. A far more expansive range of technologies is available – to discuss these please contact our local offices.

We trust Hygienic Connection will assist your selection of clamps, connectors, flow indicators and hose solutions.

Bürkert. We make ideas flow.

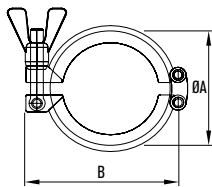
Standard Clamp Components ASME BPE (BS 4825)

Clamp Ferrule



ASME BPE	Dimensions [mm]					ID No.
	A	B	C	D	E	
1/4"	25	>18.0	28	0.89	6.4	BBS-25-A1.C02.C00.35.0 (737234)
3/8"	25	>18.0	28	0.89	9.7	BBS-25-A1.C03.C00.35.0 (On request)
1/2"	25	>18.0	28	0.89	12.7	BBS-25-A1.C05.C00.35.0 (737258)
3/4"	25	>18.0	28	1.65	19.05	BBS-25-A1.C07.C00.35.0 (737292)
1"	50.5	>18.0	28	1.65	25.4	BBS-25-A1.C10.C00.35.0 (737315)
1 1/2"	50.5	>18.0	28	1.65	38.1	BBS-25-A1.C15.C00.35.0 (737355)
2"	64	>18.0	28	1.65	50.8	BBS-25-A1.C20.C00.35.0 (737379)
2 1/2"	77.5	>18.0	28	1.65	63.5	BBS-25-A1.C25.C00.35.0 (737404)
3"	91	>18.0	28	1.65	76.2	BBS-25-A1.C30.C00.35.0 (737412)
4"	119	>18.0	28	2.1	101.6	BBS-25-A1.C40.C00.35.0 (737429)
6"	167	>18.0	28	2.77	152.4	BBS-25-A1.C60.C00.35.0 (737433)
8"	217.5	>18.0	28	3.5	205	BBS-25-A1.C80.C00.35.0 (737440)

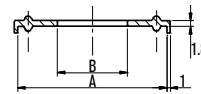
Clamp



ASME BPE	Dimensions [mm]		ID No.
	A	B	
1/4", 1/2", 3/4"	28.0	84.5	BBS-25-C7.U08.U00.01.0 (731146)
1", 1 1/2"	53.6	96.5	BBS-25-C7.U25.U00.01.0 (731164)
2"	67.0	112.5	BBS-25-C7.U40.U00.01.0 (731172)
2 1/2"	80.6	129.5	BBS-25-C7.U50.U00.01.0 (731174)
3"	94.0	144.0	BBS-25-C7.U65.U00.01.0 (731176)
4"	122.0	157.5	BBS-25-C7.U80.U00.01.0 (731178)
6"	167.0	130.0	BBS-25-C7.U125.U00.01.0 (731156)
8"	233.0	160.0	BBS-25-C7.U150.U00.01.0 (731158)

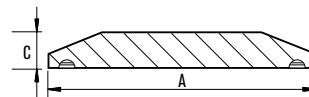


Clamp Gasket



ASME BPE	Dimensions [mm]		ID No. [EPDM o-ring]	ID No. [PTFE o-ring]
	A	B		
1/4"	25.00	4.60	BBS-02-01.C02.25.EP.0 (730231)	BBS-02-01.C02.25.FE.3 (730233)
3/8"	25.00	7.35	BBS-02-01.C03.EP.0 (On Request)	BBS-02-01.C03.FE.3 (On request)
1/2"	25.00	9.40	BBS-02-01.C05.25.EP.0 (730246)	BBS-02-01.C05.25.FE.3 (730248)
3/4"	25.00	15.70	BBS-02-01.C07.25.EP.0 (730256)	BBS-02-01.C07.25.FE.3 (730258)
1"	50.50	22.10	BBS-02-01.C10.500.EP.0 (730264)	BBS-02-01.C10.50.FE.3 (730266)
1 1/2"	50.50	34.80	BBS-02-01.C15.50.EP.0 (730277)	BBS-02-01.C15.50.FE.3 (730279)
2"	64.00	47.50	BBS-02-01.C20.64.EP.0 (730289)	BBS-02-01.C20.64.FE.3 (730291)
2 1/2"	77.50	60.20	BBS-02-01.C25.77.EP.0 (730301)	BBS-02-01.C25.77.FE.3 (730303)
3"	91.00	72.90	BBS-02-01.C30.91.EP.0 (730311)	BBS-02-01.C30.91.FE.3 (730313)
4"	119.00	97.40	BBS-02-01.C40.119.EP.0 (730322)	BBS-02-01.C40.119.FE.3 (730324)
6"	167.00	146.86	BBS-02-01.C60.167.EP.0 (730332)	BBS-02-01.C60.167.FE.3 (730334)
8"	217.50	198.00	BBS-02-01.C80.EP.0 (On request)	BBS-02-01.C80.FE.3 (On request)

Ferrule Cap



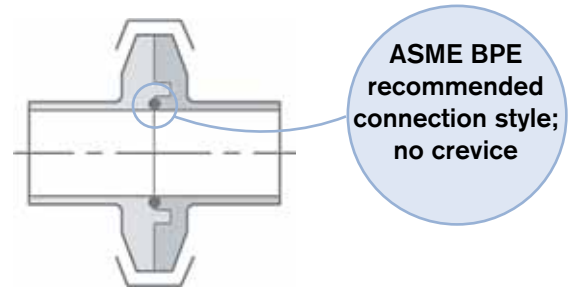
ASME BPE	Dimensions [mm]		ID No.
	A	C	
1/4", 1/2", 3/4"	25.0	7.0	BBS-25-G0.C05.C00.35.0 (738080)
1", 1 1/2"	50.5	7.0	BBS-25-G0.C15.C00.35.0 (738092)
2"	64.0	10.0	BBS-25-G0.C20.C00.35.0 (738096)
2 1/2"	77.5	10.0	BBS-25-G0.B50.B00.35.0 (738068)
3"	91.0	10.0	BBS-25-C30.C00.35.0 (738100)
4"	119.0	10.0	BBS-25-G0.C40.C00.35.0 (738104)
6"	167.0	11.0	BBS-25-G0.C60.C00.35.0 (738108)
8"	217.5	14.0	BBS-25-G0.C80.C00.35.0 (On request)



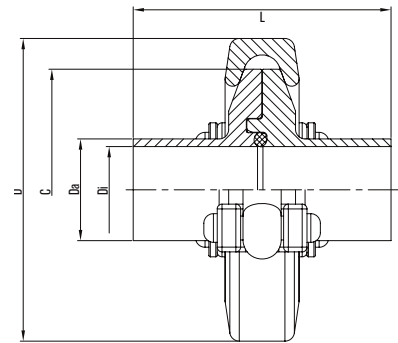
Sterile Quick Connect ASME BPE (BS 4825)

The Bürkert-BBS Sterile Quick Connect union is sold as a complete assembly.

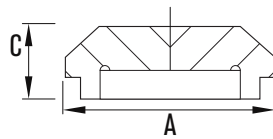
One complete assembly consists of male ferrule, o-ring (according to material choice), female ferrule and clamp. The design guarantees controlled compression of the seal and therefor directly fulfills ASME BPE criterial for optimum connectivity.



ASME BPE	Dimensions [mm] Ra < 0.6µm Wetted SS 316L, Clamp SS 304					ID No. [EPDM o-ring]	ID No. [FEP o-ring]
	C	D	Da	Di	L		
1/4"	25	41	6.35	4.57	54	BBS-05-AA.Q02.Q00.35.0 (730576)	BBS-05-AA.Q02.Q00.35.3 (730578)
3/8"	25	41	9.53	7.75	54	BBS-05-AA.Q03.Q00.35.0 (On request)	BBS-05-AA.Q03.Q00.35.3 (On request)
1/2"	25	41	12.7	9.4	54	BBS-05-AA.Q05.Q00.35.0 (730584)	BBS-05-AA.Q05.Q00.35.3 (730586)
3/4"	25	41	19.05	15.75	54	BBS-05-AA.Q07.Q00.35.0 (730592)	BBS-05-AA.Q07.Q00.35.3 (730594)
1"	50.5	72	25.4	22.1	60	BBS-05-AA.Q10.Q00.35.0 (730600)	BBS-05-AA.Q10.Q00.35.3 (730602)
1 1/2"	50.5	72	38.1	34.8	60	BBS-05-AA.Q15.Q00.35.0 (730607)	BBS-05-AA.Q15.Q00.35.3 (730609)
2"	64	87	50.8	47.5	60	BBS-05-AA.Q20.Q00.35.0 (730615)	BBS-05-AA.Q20.Q00.35.3 (730617)
2 1/2"	77.5	99	63.5	60.2	60	BBS-05-AA.Q25.Q00.35.0 (730623)	BBS-05-AA.Q25.Q00.35.3 (730625)
3"	91	113	76.2	72.9	60	BBS-05-AA.Q30.Q00.35.0 (730631)	BBS-05-AA.Q30.Q00.35.3 (730633)
4"	119	140	101.6	97.38	60	BBS-05-AA.Q40.Q00.35.0 (730639)	BBS-05-AA.Q40.Q00.35.3 (730641)

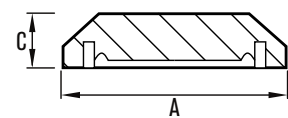


Ferrule cap: male



ASME BPE	Dimensions [mm] SS 316L		ID No.
	A	C	
1/4"	25	7	BBS-02-F0.Q02.Q00.35.0 (731262)
1/2"	25	7	BBS-02-F0.Q05.Q00.35.0 (731264)
3/4"	25	7	BBS-02-F0.Q07.Q00.35.0 (731266)
1"	50.5	7	BBS-02-F0.Q10.Q00.35.0 (731268)
1 1/2"	50.5	7	BBS-02-F0.Q15.Q00.35.0 (731270)
2"	64	10	BBS-02-F0.Q20.Q00.35.0 (731272)
2 1/2"	77.5	10	BBS-02-F0.Q25.Q00.35.0 (731274)
3"	91	10	BBS-02-F0.Q30.Q00.35.0 (731276)
4"	119	10	BBS-02-F0.Q40.Q00.35.0 (On request)

Ferrule cap: female

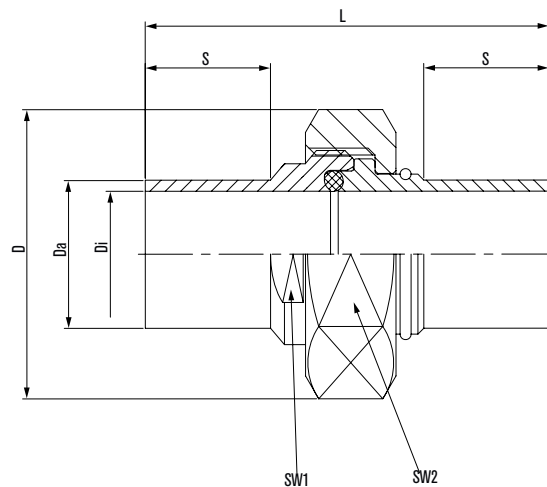
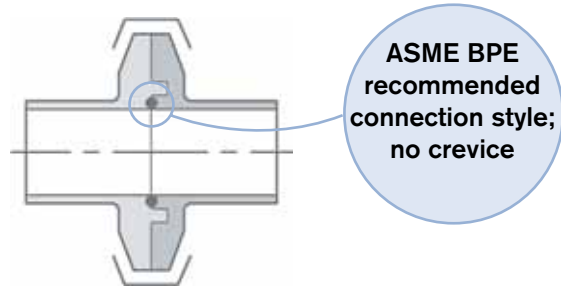


ASME BPE	Dimensions [mm] SS 316L		ID No.
	A	C	
1/4"	25	7	BBS-02-G0.Q02.Q00.35.0 (On request)
1/2"	25	7	BBS-02-G0.Q05.Q00.35.0 (On request)
3/4"	25	7	BBS-02-G0.Q07.Q00.35.0 (731345)
1"	50.5	7	BBS-02-G0.Q10.Q00.35.0 (On request)
1 1/2"	50.5	7	BBS-02-G0.Q15.Q00.35.0 (731347)
2"	64	10	BBS-02-G0.Q20.Q00.35.0 (On request)
2 1/2"	77.5	10	BBS-02-G0.Q25.Q00.35.0 (On request)
3"	91	10	BBS-02-G0.Q30.Q00.35.0 (On request)
4"	119	10	BBS-02-G0.Q40.Q00.35.0 (On request)

ASME BPE (BS 4825) Sterile Threaded Union

The BBS Sterile threaded union is sold as a complete assembly.

The complete assembly consists of a male ferrule, o-ring (in accordance with material choice), female ferrule and nut. The design guarantees controlled compression of the seal and therefore directly fulfils ASME BPE criteria for optimum connectivity as well as increasing overall process safety through using threaded union instead of quick release clamp.



ASME BPE	Dimensions [mm] Ra < 0.6µm, SS 316L						ID No. [EPDM o-ring]	ID No. [FEP o-ring]	
	D	Da	Di	L	S	SW1			SW2
¼"	21.9	6.35	4.57	55.8	18	12	19	BBS-03-AD.K02.K00.35.0 (732431)	BBS-03-AD.K02.K00.35.3 (On request)
⅜"	24.5	9.53	7.75	61.8	25.4	14	22	BBS-03-AD.K03.K00.35.0 (732433)	BBS-03-AD.K03.K00.35.3 (732435)
½"	31.2	12.7	9.4	64.5	25.4	17	27	BBS-03-AD.K05.K00.35.0 (732437)	BBS-03-AD.K05.K00.35.3 (732439)
¾"	36.5	19.05	15.75	72.3	25.4	21	32	BBS-03-AD.K07.K00.35.0 (732441)	BBS-03-AD.K07.K00.35.3 (732443)
1"	48.3	25.4	22.1	74	25.4	N/A	42 *	BBS-03-AD.K10.K00.35.0 (732445)	BBS-03-AD.K10.K00.35.3 (732447)
1½"	62	38.1	34.8	68.6	18	N/A	56 *	BBS-03-AD.K15.K00.35.0 (732449)	BBS-03-AD.K15.K00.35.3 (732451)
2"	75	50.8	47.5	87.7	25.4	N/A	61 *	BBS-03-AD.K20.K00.35.0 (732458)	BBS-03-AD.K20.K00.35.3 (732460)

* For hook wrench

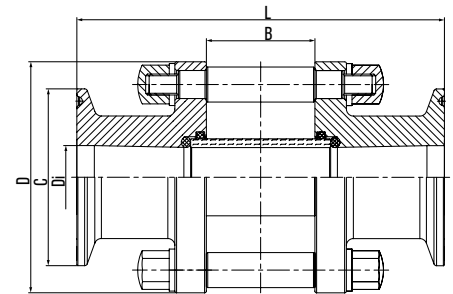


ASME BPE (BS 4825) Inline Flow Indicators

- Fully traceable materials
- Hygienic design to minimise bacterial traps
- Suitable for CIP and SIP
- Stress, crack and shatter resistant

Sterile flow indicator, full view with Clamps

ASME BPE	Dimensions [mm], Ra < 0.8µm SS 316L, Borosilicate Glass					ID No. [EPDM o-ring]	ID No. [FEP o-ring]
	D	C	Di	B	L		
¼"	50	25	4.57	19.5	90	BBS-3F-SA.C02.M00.35.0 (743027)	BBS-3F-SA.C02.M00.35.3 (743028)
⅜"	50	25	7.75	19.5	90	BBS-3F-SA.C03.M00.35.0 (741502)	BBS-3F-SA.C03.M00.35.3 (741503)
½"	59	25	9.4	19.5	91.5	BBS-3F-SA.C05.M00.35.0 (741511)	BBS-3F-SA.C05.M00.35.3 (741513)
¾"	65	25	15.75	33	105	BBS-3F-SA.C07.M00.35.0 (741520)	BBS-3F-SA.C07.M00.35.3 (741522)
1"	73	50.5	22.1	36	105	BBS-3F-SA.C10.M00.35.0 (741537)	BBS-3F-SA.C10.M00.35.3 (741541)
1½"	82	50.5	38.4	37	105	BBS-3F-SA.C15.M00.35.0 (741552)	BBS-3F-SA.C15.M00.35.3 (741554)
2"	100	64	47.5	54	152.4	BBS-3F-SA.C20.M00.35.0 (741565)	BBS-3F-SA.C20.M00.35.3 (741567)
2½"	124	77.5	60.2	67	151	BBS-3F-SA.C25.M00.35.0 (741574)	BBS-3F-SA.C25.M00.35.3 (741576)
3"	135	91	72.9	97	181	BBS-3F-SA.C30.M00.35.0 (741586)	BBS-3F-SA.C30.M00.35.3 (741588)
4"	155	119	97.38	119	206	BBS-3F-SA.C40.M00.35.0 (741596)	BBS-3F-SA.C40.M00.35.3 (741598)
6"	215	167	146.86	139	254	BBS-3F-SA.C60.M00.35.0 (741600)	BBS-3F-SA.C60.M00.35.3 (On request)
8"	265	217.5	198	155	302	BBS-3F-SA.C80.M00.35.0 (741606)	BBS-3F-SA.C80.M00.35.3 (On request)



Flow indicator range

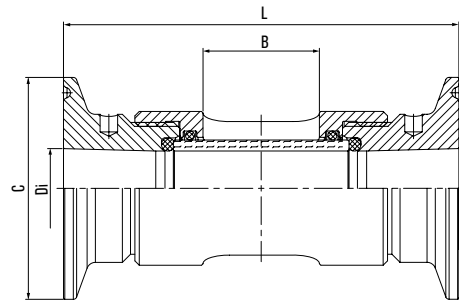


Inline flow indicators are available in standard (window) view as well as full 360° view, as shown with these two examples. All flow indicators are available in Clamp or Weld Ends to your connection standard requirement. Units in this brochure are ASME BPE however SMS, ISO, DIN and other standards are available.

ASME BPE (BS 4825) Standard Inline Flow Indicators

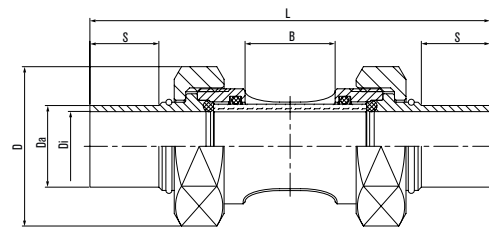
Sterile flow indicator, standard view with Clamps

ASME BPE	Dimensions [mm], Ra < 0.8µm SS 316L, Borosilicate Glass				ID No. [EPDM o-ring]	ID No. [FEP o-ring]
	C	Di	B	L		
¼"	25	4.57	20.2	65.4	BBS-3F-SA.C02.C00.35.0 (741492)	BBS-3F-SA.C02.C00.35.3 (741496)
⅜"	25	7.75	20	78	BBS-3F-SA.C03.C00.35.0 (741498)	BBS-3F-SA.C03.C00.35.3 (741500)
½"	25	9.4	20	76	BBS-3F-SA.C05.C00.35.0 (741505)	BBS-3F-SA.C05.C00.35.3 (741509)
¾"	25	15.75	30	87	BBS-3F-SA.C07.C00.35.0 (741516)	BBS-3F-SA.C07.C00.35.3 (741518)
1"	50.5	22.1	30	91	BBS-3F-SA.C10.C00.35.0 (741530)	BBS-3F-SA.C10.C00.35.3 (741533)
1½"	50.5	34.8	32	105	BBS-3F-SA.C15.C00.35.0 (741546)	BBS-3F-SA.C15.C00.35.3 (741550)
2"	64	47.5	48	120	BBS-3F-SA.C20.C00.35.0 (741560)	BBS-3F-SA.C20.C00.35.3 (741563)
2½"	77.5	60.2	55	150.6	BBS-3F-SA.C25.C00.35.0 (741571)	BBS-3F-SA.C25.C00.35.3 (741573)
3"	91	72.9	90	175	BBS-3F-SA.C30.C00.35.0 (741580)	BBS-3F-SA.C30.C00.35.3 (741584)
4"	119	97.38	110	200	BBS-3F-SA.C40.C00.35.0 (741592)	BBS-3F-SA.C40.C00.35.3 (741594)
6"	167	146.86	On request		BBS-3F-SA.C60.C00.35.0 (741600)	BBS-3F-SA.C60.C00.35.3 (On request)
8"	217.5	198	On request		BBS-3F-SA.C80.C00.35.0 (741606)	BBS-3F-SA.C80.C00.35.3 (On request)



Sterile flow indicator, standard view with weld ends

ASME BPE	Dimensions [mm], Ra < 0.8µm SS 316L, Borosilicate Glass						ID No. [EPDM o-ring]	ID No. [FEP o-ring]
	D	Da	Di	L	S	B		
¼"	22.1	6.35	4.55	On request			BBS-3F-RB.K02.K00.35.0 (On request)	BBS-3F-RB.K02.K00.35.3 (On request)
⅜"	24.5	9.53	7.75	100.7	25.4	21	BBS-3F-RB.K03.K00.35.0 (741181)	BBS-3F-RB.K03.K00.35.3 (741183)
½"	31.2	12.7	9.4	107.5	25.4	18	BBS-3F-RB.K05.K00.35.0 (730000)	BBS-3F-RB.K05.K00.35.3 (741187)
¾"	36.5	19.05	15.75	120.3	25.4	20	BBS-3F-RB.K07.K00.35.0 (741189)	BBS-3F-RB.K07.K00.35.3 (741191)
1"	48	25.4	22.1	120.6	25.4	30	BBS-3F-RB.K10.K00.35.0 (741193)	BBS-3F-RB.K10.K00.35.3 (741195)
1½"	62	42.7	9.4	121.2	18	32	BBS-3F-RB.K15.K00.35.0 (741199)	BBS-3F-RB.K15.K00.35.3 (741205)
2"	80	50.8	47.5	161.2	25.4	48	BBS-3F-RB.K20.K00.35.0 (741203)	BBS-3F-RB.K20.K00.35.3 (741205)
2½"	88	63.5	60.2	165.4	18	79.4	BBS-3F-RB.K25.K00.35.0 (741207)	BBS-3F-RB.K25.K00.35.3 (741209)
3"	106	76.2	72.9	On request			BBS-3F-RB.K30.K00.35.0 (741211)	BBS-3F-RB.K30.K00.35.3 (741213)
4"	127	101.6	98.38	262.7	38.1	110	BBS-3F-RB.K40.K00.35.0 (741215)	BBS-3F-RB.K40.K00.35.3 (On request)



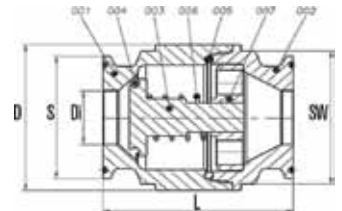


Disc & Ball Check Valves

- For non-critical hygienic applications
- Fully traceable materials
- Various process connections available
- Suitable for CIP and SIP
- Excellent performance

Disc check valves with ASME BPE Clamps

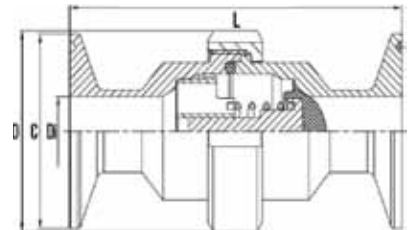
ASME BPE	Dimensions [mm], Ra < 0.8µm SS 316L, Borosilicate Glass					ID No. [EPDM o-ring]	ID No. [FEP o-ring]
	C	Di	L	D	SW		
¼"	25	4.57	62	42.4	36	BBS-10-RQ.Y02.Y02.35.0 (On req)	BBS-10-RQ.Y02.Y02.35.3 (On req)
⅜"	25	7.74	62	42.4	36	BBS-10-RQ.Y03.Y03.35.0 (On req)	BBS-10-RQ.Y03.Y03.35.3 (On req)
½"	25	9.4	62	42.4	36	BBS-10-RQ.Y05.Y05.35.0 (On req)	BBS-10-RQ.Y05.Y05.35.3 (743040)
¾"	50.5	15.75	62	42.4	36	BBS-10-RQ.Y07.Y07.35.0 (On req)	BBS-10-RQ.Y07.Y07.35.3 (743041)
1"	50.5	22.1	69	60.3	55	BBS-10-RQ.Y10.Y10.35.0 (On req)	BBS-10-RQ.Y10.Y10.35.3 (743042)
1½"	50.5	38.1	75	70	-	BBS-10-RQ.Y15.Y15.35.0 (On req)	BBS-10-RQ.Y15.Y15.35.3 (743043)
2"	64	50.8	85	85	-	BBS-10-RQ.Y20.Y20.35.0 (On req)	BBS-10-RQ.Y20.Y20.35.3 (743044)



001	Plain ferrule
002	Male ferrule
003 & 007	Disc & bearing
004 & 005	O-ring
006	Spring

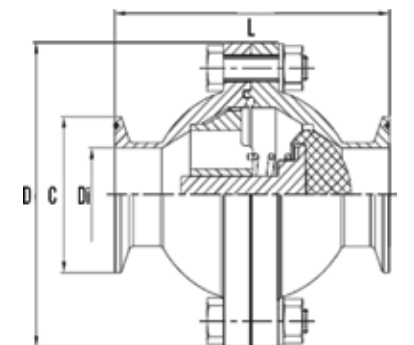
Ball check valve, standard construction ¼" - 1"

ASME BPE	Dimensions [mm], Ra < 0.8µm SS 316L, Borosilicate Glass				ID No. [EPDM o-ring]	ID No. [FEP o-ring]
	D	C	Di	L		
¼"	52	25	4.57	92	BBS-RH-Y02.Y02.35.0 (On req)	BBS-RH-Y02.Y02.35.3 (735827)
⅜"	52	25	7.75	92	BBS-RH-Y03.Y03.35.0 (On req)	BBS-RH-Y03.Y03.35.3 (735832)
½"	52	25	9.4	92	BBS-RH-Y05.Y05.35.0 (735836)	BBS-RH-Y05.Y05.35.3 (735841)
¾"	52	25	15.75	92	BBS-RH-Y07.Y07.35.0 (On req)	BBS-RH-Y07.Y07.35.3 (735845)
1"	67	50.5	22.1	105	BBS-RH-Y10.Y10.35.0 (On req)	BBS-RH-Y10.Y10.35.3 (735849)



Ball check valve, flanged construction 1½" - 4"

ASME BPE	Dimensions [mm], Ra < 0.8µm SS 316L, Borosilicate Glass				ID No. [EPDM o-ring]	ID No. [FEP o-ring]
	D	C	Di	L		
1½"	125	50.5	34.8	159.3	BBS-RH-Y15.Y15.35.0 (On req)	BBS-RH-Y15.Y15.35.3 (735857)
2"	137	64	47.5	180.4	BBS-RH-Y20.Y20.35.0 (On req)	BBS-RH-Y20.Y20.35.3 (On req)
2½"	168	77.5	60.2	163	BBS-RH-Y25.Y25.35.0 (On req)	BBS-RH-Y25.Y25.35.3 (On req)
3"	168	91	72.9	163	BBS-RH-Y30.Y30.35.0 (On req)	BBS-RH-Y30.Y30.35.3 (On req)
4"	220	119	97.38	185	BBS-RH-Y40.Y40.35.0 (On req)	BBS-RH-Y40.Y40.35.3 (On req)



Ball check valve range



Disc and ball type check valves are available with Clamp or Weld Ends. All internal parts are high quality with 316L stainless steel throughout.

Accessories including strainers fit modularly inside your check valve. Call and find out more.

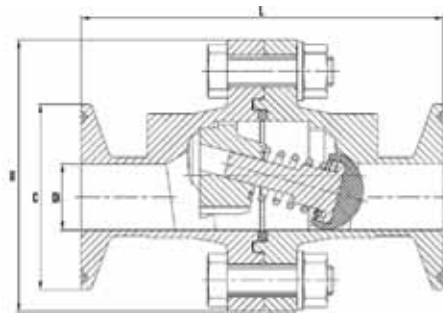
Eccentric Ball Check Valves

- Ideal for hygienic applications
- Designed for continuous flushing
- Fully traceable materials
- Suitable for CIP and SIP
- Flow direction reversible



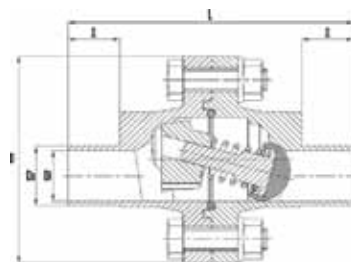
Eccentric ball check valves with Clamps

ASME BPE	Dimensions [mm], Ra < 0.8µm SS 316L, Borosilicate Glass				ID No. [EPDM o-ring]	ID No. [PTFE o-ring]
	D	C	Di	L		
¼"	74	25	4.57	117	BBS-10-RH.Y02.FEX.35.0 (On request)	BBS-10-RH.Y02.FEX.35.3 (On request)
⅜"	74	25	7.75	117	BBS-10-RH.Y03.FEX.35.0 (On request)	BBS-10-RH.Y03.FEX.35.3 (On request)
½"	74	25	9.4	117	BBS-10-RH.Y05.FEX.35.0 (On request)	BBS-10-RH.Y05.FEX.35.3 (On request)
¾"	74	25	15.75	99	BBS-10-RH.Y07.FEX.35.0 (On request)	BBS-10-RH.Y07.FEX.35.3 (On request)
1"	88	50.5	22.1	142	BBS-10-RH.Y10.FEX.35.0 (On request)	BBS-10-RH.Y10.FEX.35.3 (On request)
1½"	125	50.5	34.8	187	BBS-10-RH.Y15.FEX.35.0 (On request)	BBS-10-RH.Y15.FEX.35.3 (On request)
2"	137	64	47.5	188	BBS-10-RH.Y20.FEX.35.0 (On request)	BBS-10-RH.Y20.FEX.35.3 (On request)
2½"	168	77.5	60.2	200	BBS-10-RH.Y25.FEX.35.0 (On request)	BBS-10-RH.Y25.FEX.35.3 (On request)
3"	168	91	72.9	199	BBS-10-RH.Y30.FEX.35.0 (On request)	BBS-10-RH.Y30.FEX.35.3 (On request)
4"	260	119	97.38	246	BBS-10-RH.Y40.FEX.35.0 (On request)	BBS-10-RH.Y40.FEX.35.3 (On request)



Eccentric ball check valves with weld ends

ASME BPE	Dimensions [mm], Ra < 0.8µm SS 316L, Borosilicate Glass					ID No. [EPDM o-ring]	ID No. [PTFE o-ring]
	D	Da	Di	L	S		
¼"	74	6.35	4.57	117	18	BBS-10-RU.Y02.FEX.35.0 (On request)	BBS-10-RU.Y02.FEX.35.3 (On request)
⅜"	74	9.53	7.75	117	18	BBS-10-RU.Y03.FEX.35.0 (On request)	BBS-10-RU.Y03.FEX.35.3 (On request)
½"	74	12.7	9.4	117	18	BBS-10-RU.Y05.FEX.35.0 (On request)	BBS-10-RU.Y05.FEX.35.3 (On request)
¾"	74	19.05	15.75	99	18	BBS-10-RU.Y07.FEX.35.0 (On request)	BBS-10-RU.Y07.FEX.35.3 (On request)
1"	88	25.4	22.1	142	20	BBS-10-RU.Y10.FEX.35.0 (On request)	BBS-10-RU.Y10.FEX.35.3 (On request)
1½"	125	38.1	34.8	187	25	BBS-10-RU.Y15.FEX.35.0 (On request)	BBS-10-RU.Y15.FEX.35.3 (On request)
2"	137	50.8	47.5	188	25	BBS-10-RU.Y20.FEX.35.0 (On request)	BBS-10-RU.Y20.FEX.35.3 (On request)
2½"	168	63.5	60.2	200	25	BBS-10-RU.Y25.FEX.35.0 (On request)	BBS-10-RU.Y25.FEX.35.3 (On request)
3"	168	76.2	72.9	199	25	BBS-10-RU.Y30.FEX.35.0 (On request)	BBS-10-RU.Y30.FEX.35.3 (On request)
4"	260	101.6	97.38	246	30	BBS-10-RU.Y40.FEX.35.0 (On request)	BBS-10-RU.Y40.FEX.35.3 (On request)
6"	260	152.4	149.98	288	40	BBS-10-RU.Y60.FEX.35.0 (On request)	BBS-10-RU.Y60.FEX.35.3 (On request)





Hose for hygienic processes, FDA approved

Standard hose, without reinforcement

ID No.	Size	ID	Min Bend Radius	Max. Working Pressure		Max. Material Temp.	Min. Burst Pressure	Vaccum Resistance
				[20°C]	[150°C]			
BBS-04-00.R04.00.CL.O (730131)	¼"	5 mm	30mm	Ambient	Ambient	160°C	4 Bar	None
BBS-04-00.R06.00.CL.O (730137)		6 mm	50mm	Ambient	Ambient	160°C	4 Bar	None
BBS-04-00.R08.00.CL.O (730143)	⅜"	8 mm	60mm	Ambient	Ambient	160°C	3 Bar	None
BBS-04-00.R10.00.CL.O (730148)		10 mm	70mm	Ambient	Ambient	160°C	3 Bar	None
BBS-04-00.S10.00.CL.O (730156)	½"	12.7 mm	80mm	Ambient	Ambient	160°C	2 Bar	None

Glass silk reinforced hose

ID No.	Size	ID	Min Bend Radius	Max. Working Pressure		Max. Material Temp.	Min. Burst Pressure	Vaccum Resistance
				[20°C]	[150°C]			
BBS-04-00.R04.00.MD.O (730133)	¼"	5 mm	30mm	16 Bar	10 Bar	160°C	32 Bar	No collapse
BBS-04-00.R06.00.MD.O (730139)		6 mm	50mm	16 Bar	10 Bar	160°C	28 Bar	No collapse
BBS-04-00.R08.00.MD.O (730145)	⅜"	8 mm	60mm	14 Bar	8.5 Bar	160°C	26 Bar	No collapse
BBS-04-00.R10.00.MD.O (730152)		10 mm	70mm	12 Bar	8 Bar	160°C	24 Bar	No collapse
BBS-04-00.S10.00.MD.O (730160)	½"	12.7 mm	80mm	10 Bar	6.5 Bar	160°C	20 Bar	650 mm/HG
BBS-04-00.S15.00.MD.O (730168)	¾"	19 mm	150mm	8 Bar	5 Bar	160°C	18 Bar	580 mm/HG
BBS-04-00.S20.00.MD.O (730174)	1"	25.4 mm	180mm	6 Bar	3.5 Bar	160°C	15 Bar	400 mm/HG
BBS-04-00.S25.00.MD.O (730180)		32 mm	220mm	4 Bar	2.5 Bar	160°C	12 Bar	180 mm/HG

Aramid reinforced hose

ID No.	Size	ID	Min Bend Radius	Max. Working Pressure		Max. Material Temp.	Min. Burst Pressure	Vaccum Resistance
				[20°C]	[150°C]			
BBS-04-00.R10.00.MA.O (730150)		10 mm	70mm	16 Bar	10 Bar	160°C	36 Bar	650 mm/HG
BBS-04-00.S10.00.MA.O (730158)	½"	12.7 mm	80mm	16 Bar	10 Bar	160°C	30 Bar	650 mm/HG
BBS-04-00.S15.00.MA.O (730164)	¾"	19 mm	150mm	12 Bar	8 Bar	160°C	24 Bar	580 mm/HG
BBS-04-00.S20.00.MA.O (730172)	1"	25.4 mm	180mm	10 Bar	6.5 Bar	160°C	20 Bar	400 mm/HG
BBS-04-00.S25.00.MA.O (730178)		32 mm	220mm	8 Bar	5 Bar	160°C	18 Bar	180 mm/HG
BBS-04-00.S32.00.MA.O (730186)	1½"	38 mm	260mm	5 Bar	3 Bar	160°C	12 Bar	180 mm/HG
BBS-04-00.S40.00.MA.O (730193)	2"	45 mm	350mm	5 Bar	3 Bar	160°C	12 Bar	120 mm/HG
BBS-04-00.S50.00.MA.O (730199)		55 mm	450mm	5 Bar	3 Bar	160°C	12 Bar	120 mm/HG

Stainless steel reinforced hose for vacuum: contact Bürkert

Hose selection



Four different types of hose are available with Bürkert-BBS for specific application types.

- Standard hose without reinforcement
- Glass silk reinforces hose: for high pressure applications
- Aramid reinforced hose: for high temperature & pressure (steam)
- Stainless steel reinforced: for vacuum conditions

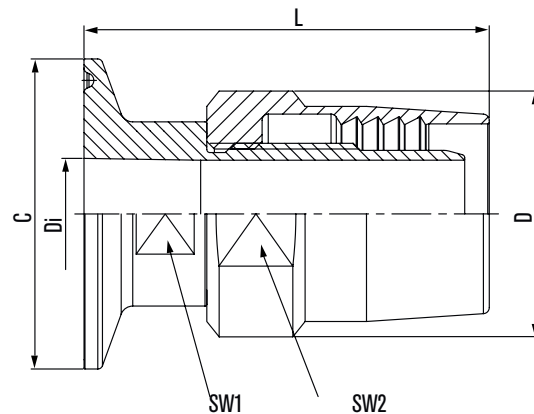
Reusable Hose Unions

- Fully traceable materials
- Excellent sealing properties to maintain sterility
- Suitable for CIP and SIP
- Virtually unlimited flexibility



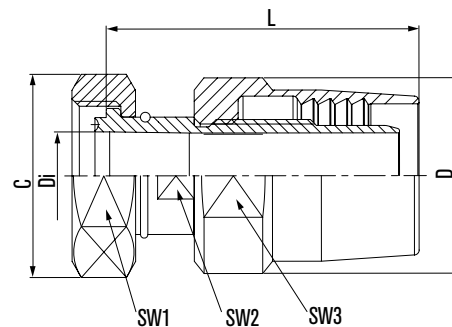
ASME reusable clamp hose union

ASME BPE	Dimensions [mm], Ra < 0.8µm SS 316L						ID No.
	C	Di	L	D	SW1	SW2	
1/4"	25	4.57	38.5	19.8	14	17	BBS-4S-AA.H02.H00.35.0 (743031)
3/8"	25	7.75	49	21.7	17	24	BBS-4S-AA.H03.H00.35.0 (741989)
1/2"	25	9.4	50	29.7	19	27	BBS-4S-AA.H05.H01.35.0 (741993)
3/4"	25	15.75	66	40	27	36	BBS-4S-AA.H07.H00.35.0 (741995)
1"	50.5	22.1	78.5	49.5	32	46	BBS-4S-AA.H10.H01.35.0 (742001)
1 1/2"	50.5	34.8	89.7	74	41	60	BBS-4S-AA.H15.H00.35.0 (742007)
2"	64	47.5	On request				BBS-4S-AA.H20.H00.35.0 (742017)



ASME reusable standard screwed hose union

ASME BPE	Dimensions [mm], Ra < 0.8µm SS 316L							ID No.
	C	Di	L	D	SW1	SW2	SW3	
1/4"	21.9	4.57	42.3	22	22	11	17	BBS-4S-AA.T02.T00.35.0 (742092)
3/8"	21.9	7.7	49	27.7	27	14	24	BBS-4S-AA.T03.T00.35.0 (742093)
1/2"	24.5	9.4	52	29.7	32	19	27	BBS-4S-AA.T05.T00.35.0 (742094)
3/4"	31.2	15.75	65	38.6	42	22	36	BBS-4S-AA.T07.T00.35.0 (742095)
1"	36.5	22.1	79.3	49.5	42	28	46	BBS-4S-AA.T10.T00.35.0 (742096)
1 1/2"	48.3	34.8	111	74	56	41	60	BBS-4S-AA.T15.T00.35.0 (742097)
2"	52	47.5	On request					BBS-4S-AA.T20.T00.35.0 (On request)



Reusable hose unions



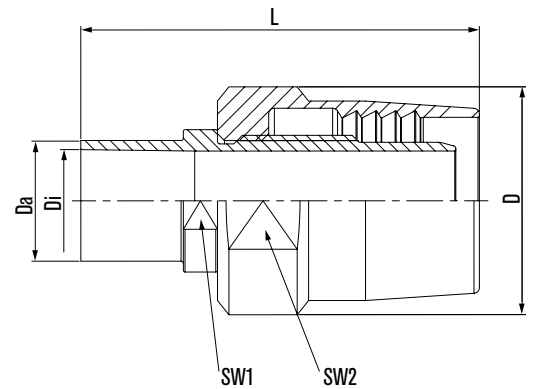
Bürkert's BBS reusable hose unions give you freedom which stainless steel pipework can't. Fully certified for sanitary conditions, the hose unions are designed to work with silicone hose (see previous page). Our hose union system is flexible, so that you can run lines around corners and on moving machinery without concern. Once in place it is a faster solution, allowing immediate line change without waiting on line fabrication. Talk to us about the Bürkert-BBS hose union system solution.



Reusable Hose Unions

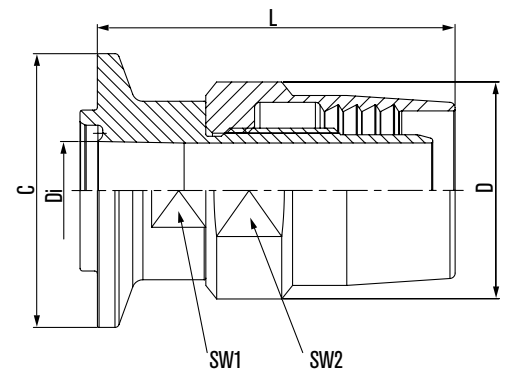
Hose union, welding connection

ASME BPE	Dimensions [mm], SS 316L						ID No.
	Da	Di	L	D	SW1	SW2	
¼"	6.35	4.57	42.3	22	22	17	BBS-4S-DA.T02.T00.35.0 (742313)
⅜"	9.53	7.75	54	27.7	14	24	BBS-4S-DA.T03.T00.35.0 (742314)
½"	12.7	9.4	64	29.7	32	27	BBS-4S-DA.T05.T00.35.0 (742315)
¾"	19.05	15.75	78.9	38.6	22	36	BBS-4S-DA.T07.T00.35.0 (742316)
1"	25.4	22.1	95	49.5	32	46	BBS-4S-DA.T10.T00.35.0 (742317)
1½"	38.1	34.8	100.8	96	41	60	BBS-4S-DA.T15.T00.35.0 (742318)
2"	50.8	47.5	On request				BBS-4S-DA.T20.T00.35.0 (742319)



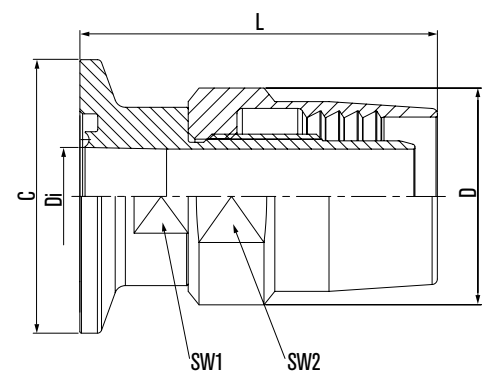
Hose union, Quick Connect male union

ASME BPE	Dimensions [mm], SS 316L						ID No.
	C	Di	L	D	SW1	SW2	
¼"	25	4.57	38.4	19.8	14	17	BBS-4S-NA.H02.H00.35.0 (731501)
⅜"	25	7.75	On request				BBS-4S-NA.H03.H00.35.0 (On request)
½"	25	9.4	50.5	29.7	19	27	BBS-4S-NA.H05.H00.35.0 (731503)
¾"	50.5	15.75	66	40	27	36	BBS-4S-NA.H07.H00.35.0 (731505)
1"	50.5	22.1	80.5	49.5	32	46	BBS-4S-NA.H10.H01.35.0 (731510)
1½"	50.5	34.8	89.7	74	41	60	BBS-4S-NA.H15.H00.35.0 (731512)
2"	64	47.5	On request				BBS-4S-NA.H20.H00.35.0 (731514)



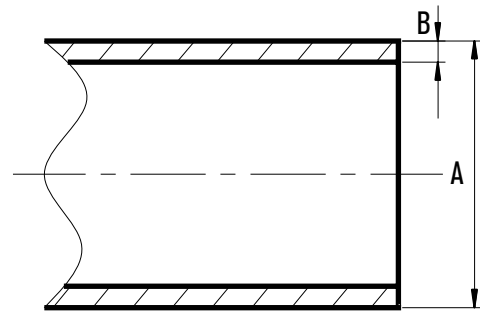
Hose union, Quick Connect female union

ASME BPE	Dimensions [mm], SS 316L						ID No.
	C	Di	L	D	SW1	SW2	
¼"	25	4.57	38.4	19.8	14	17	BBS-4S-NB.H02.H00.35.0 (742564)
⅜"	25	7.75	On request				BBS-4S-NB.H03.H00.35.0 (On request)
½"	25	9.4	52	29.7	17	27	BBS-4S-NB.H05.H01.35.0 (742566)
¾"	25	15.75	65.8	38.6	22	36	BBS-4S-NB.H07.H00.35.0 (742567)
1"	50.5	22.1	77.5	49.5	32	46	BBS-4S-NB.H10.H00.35.0 (742569)
1½"	50.5	34.8	89.7	74	41	60	BBS-4S-NB.H15.H00.35.0 (742570)
2"	64	47.5	On request				BBS-4S-NB.H20.H00.35.0 (742571)



Standard Piping Dimensions

Dimension A x B	BS 4825 ASME BPE	ISO 4200	DIN 11864	SMS 3008
6.00 x 1.00			DN 04	
6.35 x 0.89	DN 1/4"			
8.00 x 1.00			DN 06	DN 06
10.00 x 1.00			DN 08	DN 08
12.00 x 1.00			DN 10	DN 10
12.70 x 1.65	DN 1/2"			
13.50 x 1.60		DN 08		
17.20 x 1.60		DN 10		
18.00 x 1.00				DN 15
19.00 x 1.50			DN 15	
19.05 x 1.65	DN 3/4"			
21.30 x 1.60		DN 15		
22.00 x 1.00				DN 20
23.00 x 1.50			DN 20	
25.00 x 1.20				DN 25
25.40 x 1.65	DN 1"			
26.90 x 1.60		DN 20		
29.00 x 1.50			DN 25	
32.00 x 1.20				DN 32
33.70 x 2.00		DN 25		
35.00 x 1.50			DN 32	
38.00 x 1.20				DN 40
38.10 x 1.65	DN 1 1/2"			
41.00 x 1.50			DN 40	
42.40 x 2.00		DN 32		
48.30 x 2.00		DN 40		
50.80 x 1.65	DN 2"			
51.00 x 1.20				DN 50
53.00 x 1.50			DN 50	
60.30 x 2.00		DN 50		
63.50 x 1.60				DN 65
63.50 x 1.65	DN 2 1/2"			
70.00 x 2.00			DN 65	
76.10 x 1.60				DN 80
76.10 x 2.00		DN 65		
76.20 x 1.65	DN 3"			
85.00 x 2.00			DN 80	
88.90 x 2.30		DN 80		
101.60 x 2.00				DN 100
101.60 x 2.11	DN 4"			
104.00 x 2.00			DN 100	
114.30 x 2.30		DN 100		
129.00 x 2.00			DN 125	
139.70 x 2.60		DN 125		
152.40 x 2.11	DN 6"			
154.00 x 2.00			DN 150	
168.30 x 2.60		DN 150		



Use these dimensions to assist in product selection.

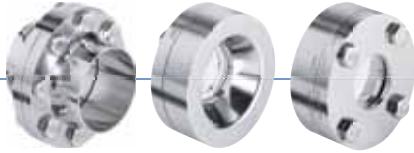
Use the outer diameter of the pipe and accordingly the correct inner diameter of the hose.

Please note: Bürkert's Hygienic Connections Pacific brochure focuses on ASME BPE standards, however all products are available for ISO, SMS, DIN and other standards. Dimensions are provisional and subject to change as required. Contact Bürkert to discuss your specific application environment and solutions.



Complete hygienic solution

Certifications include



Sterile orbital flange unions & tank flanges

- Optimum internal design by ASME BPE recommendation
- Crevice free system, fully traceable materials
- BS 4825 /ASME BPE DN1/2" to DN8"
- Materials 316L stainless steel, seal EPDM, FEP (PTFE)
- Surface finish <0.8 Ra electropolished



Piping components

- BS 4825 /ASME BPE DN1/2" to DN4"
- Materials 316L stainless steel
- Surface finish <0.8 Ra electropolished
- Welded or seamless construction as required



Sampling systems and heat solutions

- Ring Gap system suitable for SIP/CIP processes
- Sealing materials EPDM, FEP (PTFE)
- Customised design to your requirements



Control valves

- Angle seat, globe, diaphragm, multiport, custom configuration
- Smooth clean design without crevice
- On/off and modulating control function
- Network interfaces for Innovative Valve Automation solution



Specialised multiport diaphragm valves

- Standardised and custom configuration multiport valves
- No dead-leg and minimised flow system volume
- Complex block system for fast, cost effective production
- Specialised 'two-in-one' Robolux valves with small footprint



Process instrumentation

- Flow, level, pressure, temperature, analytical instruments
- Certified for inline use & cleaning including SIP/CIP
- Smart networking & integration with control & valve systems
- Complete package solution with Bürkert & BBS

Bürkert Fluid Control Systems
Bürkert Contromatic Australia Pty Ltd

Telephone 1300 888 868
Facsimile 1300 888 076
sales.au@burkert.com
www.burkert.com.au

Bürkert Fluid Control Systems
Bürkert Contromatic NZ Limited

Telephone 0800 BURKERT [287 537]
Facsimile 0800 33 33 77
sales.nz@burkert.com
www.burkert.co.nz