

Pneumatically actuated butterfly valve with cast iron body



- Heavy duty top bushing absorbs side thrust load
- Through shaft design
- Rugged actuator mounted to ISO pad (standard)
- Lockable handle for security

Type 2671 can be combined with...



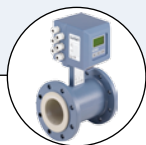
Type 8793

Digital process controller



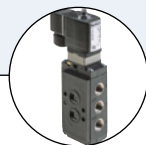
Type 2672

Butterfly valve with electric actuator



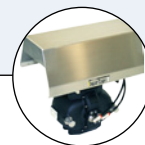
Type 8055

Magflow meter with remote electronics



Type 6519 Namur

Pilot valve, direct mount to actuator



Protective hood

For field mount positioners

Bürkert's heavy duty butterfly valve for processing and manufacturing applications.

Permanent and continuous valve leak tightness is delivered by close spherical contact between disk and liner.

The pneumatic actuator is coated in Rilsan and cataphoresis and is extremely resistant to chemicals and aggressive environments.

Valve features:

- Tight sealing with flow in either direction
- The valve body and disc are accurately machined which results in low operating torque, long service life and reliability
- Triple shaft bearings prevent shaft deflection and guarantee optimum guidance even after many years of operational service
- Four flange mounting holes ensure correct valve location
- Can be installed in any desired position.
- Maintenance-free; simple to disassemble

Applications

- Water & wastewater applications
- Food & beverage
- Chemical and petrochemical
- Gas & energy applications
- Mineral processing, steel mills

Technical data

Nominal Diameter

Wafer	DN 20 - DN 1200 (DN 20 only PN10/16)
Lugged	DN 20 - DN 600 (DN 20 only PN10/16)
	Standard range 50mm - 300mm

Body materials

Body	Cast iron ASTM A126 CI B
Seal	EPDM
Disk	Stainless steel 316 (CF8M)

Actuator materials

Body	Anodised aluminium, epoxy coated (cataphoresis)
Coating	Rilsan coated, internally & externally

Operating pressure

Operating pressure	16 Bar
--------------------	--------

Differential Pressure

Differential Pressure	Maximum differential 16 bar
-----------------------	-----------------------------

Vacuum

Vacuum	0.2 bar absolute (pressure and media dependent)
--------	---

Temperature range

Temperature range	-10°C to +120°C
-------------------	-----------------

(pressure, media and material dependent)

Ambient temperature

Ambient temperature	-10 °C to + 80 °C
---------------------	-------------------

Control media

Control media	Compressed air, water, non aggressive fluid
---------------	---

Pilot pressure

Pilot pressure	5.5 .. 8 bar
----------------	--------------

(measured as overpressure Vs atmospheric pressure)

Pilot port connection

Pilot port connection	G1/4" threaded
-----------------------	----------------

Installation

Installation	As required, preferably with actuator upright
--------------	---

Flange accommodation

Flange accommodation	DIN 2501 PN 6/10/16
	ANSI B 16.5, Class 150
	MSS SP44 Class 150
	AWWA C 207
	AS 2129 Table D and E
	BS 10 Table D and E
	JIS B 2211-5 K, JIS B 2212-10 K

Lap-joint flange

Lap-joint flange	DIN 2641 and DIN2642
------------------	----------------------

Weld-on flange

Weld-on flange	DIN 2576
----------------	----------

Flange surface design

Flange surface design	DIN 2526 Form A-E, ANSI RF
-----------------------	----------------------------

Top flange

Top flange	EN ISO 5211, NF E 29-402
------------	--------------------------

Marking

Marking	DIN EN 19
---------	-----------

Technical data: valve

Torque

- The torque values specified(MD) are based on liquid and lubricant media
- Powdery (non-lubricant) media Md x 1,3
- Dry gases/high viscous media Md x 1,2
- The values specified are based on the initial breakaway torque

Dynamic torque specification available upon request.

DN [mm]	Size [in]	Operating pressure [bar]			
		3	6	10	16
20	¾	–	–	5	–
25	1	–	–	5	–
32	1¼	–	–	5	–
40	1½	–	–	6	8
50	2	5	7	7	9
65	2½	7	9	15	18
80	3	8	10	18	24
100	4	9	18	28	37
125	5	15	22	45	59
150	6	36	45	110	125
200	8	59	76	140	200
250	10	150	180	200	240
300	12	200	240	280	360
350	14	350	540	610	700
400	16	420	620	750	850
450	18	720	746	860	1,500
500	20	900	1,100	2,255	3,690
600	24	1,050	2,100	3,000	5,830
700	28	1,560	2,240	3,450	8,100
800	32	2,070	3,800	6,600	11,200
900	36	2,700	4,900	7,100	14,500
1,000	40	4,600	6,780	11,500	24,400
1,200	48	7,800	12,000	21,000	44,000

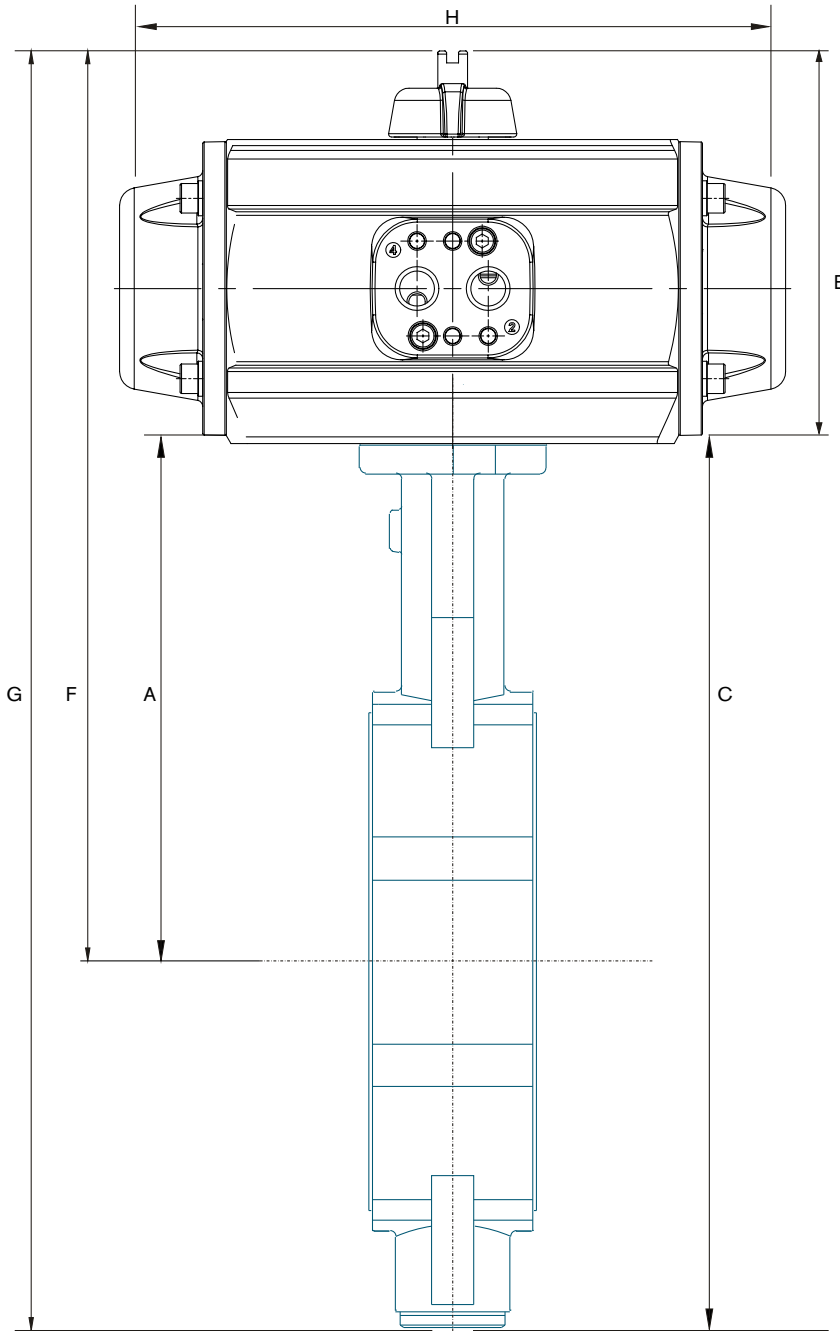
Technical data: valve

- The Kv-value (m³per hour) is the flow of water at a temperature of 5°C to 30°C (41 °F to 86 °F) at 1 bar.
- The Kv-values specified are based on tests carried out by the Delfter Hydraulics Laboratories, the Netherlands.
- Permissible velocity of flow Vmax 4,5 m/s for liquids and Vmax 70 m/s for gases.
- The throttle function is linear at an angle 30°to 70°.
- Avoid cavitation!

For further values, please contact our engineers.

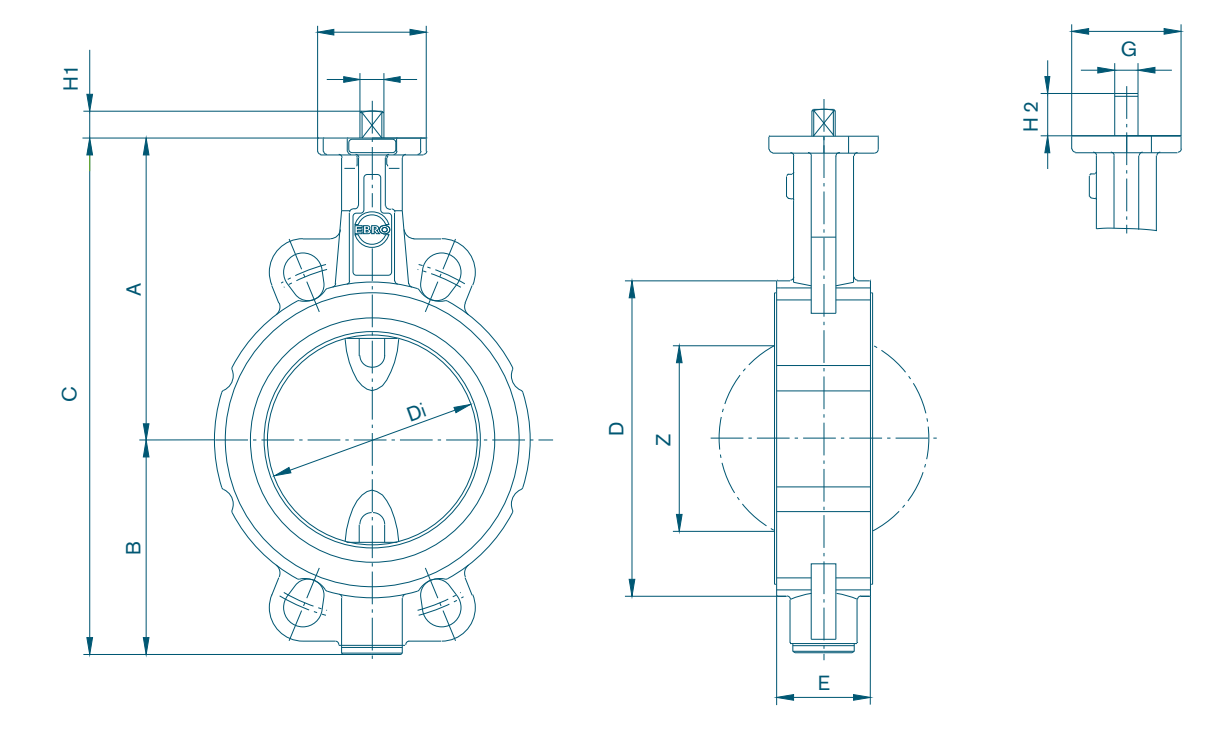
DN [mm]	Size [in]	Opening angle							
		20°	30°	40°	50°	60°	70°	80°	90°
20	¾	–	1	4	8	11	19	27	32
25	1	–	1,5	5	10	15	24	32	36
32	1¼	–	1,5	5	11	16	27	35	40
40	1½	–	2,2	8	15	21	33	43	50
50	2	1,2	8	13	22	38	50	65	85
65	2½	2	9	22	42	77	115	170	215
80	3	8	24	50	95	150	240	330	420
100	4	13	28	65	130	180	340	550	800
125	5	26	65	130	230	350	530	870	1,010
150	6	35	90	200	360	640	900	1,350	2,100
200	8	43	180	350	580	1,000	1,600	3,000	4,000
250	10	125	360	660	1,100	1,800	3,100	5,300	6,400
300	12	200	550	1,000	1,600	2,600	5,000	7,500	8,500
350	14	350	780	1,400	2,400	4,000	8,000	10,800	11,500
400	16	490	1,050	1,800	3,100	5,500	11,000	12,000	14,500
450	18	510	1,080	2,040	3,350	6,100	11,500	14,600	20,500
500	20	520	1,100	2,200	3,500	6,200	12,000	15,100	21,000
600	24	750	1,400	2,800	5,100	8,800	14,000	22,000	29,300
700	28	770	1,755	3,260	5,980	10,600	17,100	25,300	36,000
800	32	1,200	2,260	4,550	8,230	12,900	20,300	29,300	44,600
900	36	1,540	2,280	6,030	10,500	17,600	29,200	42,150	59,000
1,000	40	2,200	3,970	8,300	14,480	24,000	37,100	60,300	81,500
1,200	48	5,050	7,900	13,800	19,700	33,500	53,300	73,050	102,650

Wafer type valve dimensions [mm]



DN	Actuator size		A	C	E		F		G		H	
	SR	DA			SR	DA	SR	DA	SR	DA	SR	DA
50	RI000	RI000	126	210	111.3	111.3	237.3	237.3	321.3	321.3	152.3	152.3
65	RI005	RI000	134	227	128.3	111.3	262.3	245.3	355.3	338.3	200.8	152.3
80	RI010	RI005	157	261	132.3	128.3	289.3	285.3	393.3	389.3	224.4	200.8
100	RI015	RI005	167	282	147.8	128.3	314.8	295.3	429.8	410.3	264.2	200.8
150	RI030	RI020	203	353	211	156.3	414	359.3	564	509.3	479	309.5
200	RI040	RI025	228	404	272	184.3	500	412.3	676	588.3	598	366.2
250	RI040	RI030	266	478	272	211	538	477	750	689	598	479
300	RI040	RI030	291	528	272	211	563	502	800	739	598	479

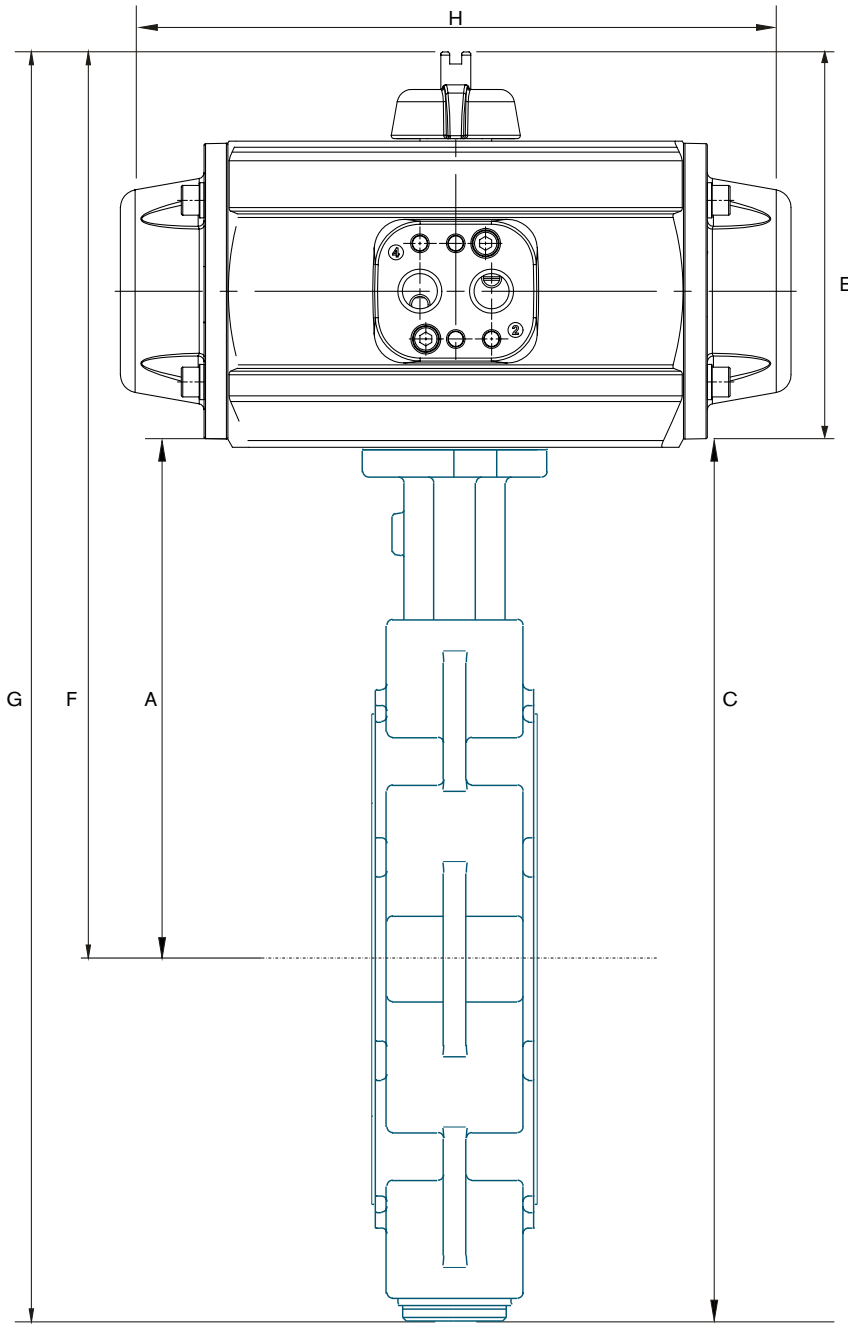
Wafer type valve dimensions [mm]



The technical drawings illustrate the dimensions of the wafer type valve. The front view shows dimensions A (total height), B (height to the center of the valve), C (height to the top of the handle), Di (inner diameter), and H1 (height to the top of the handle). The side view shows dimensions D (total length), E (length to the bottom of the handle), F (length to the center of the valve), G (width of the handle), and Z (length to the center of the valve). The detail view shows dimensions H2 (height to the top of the handle) and G (width of the handle).

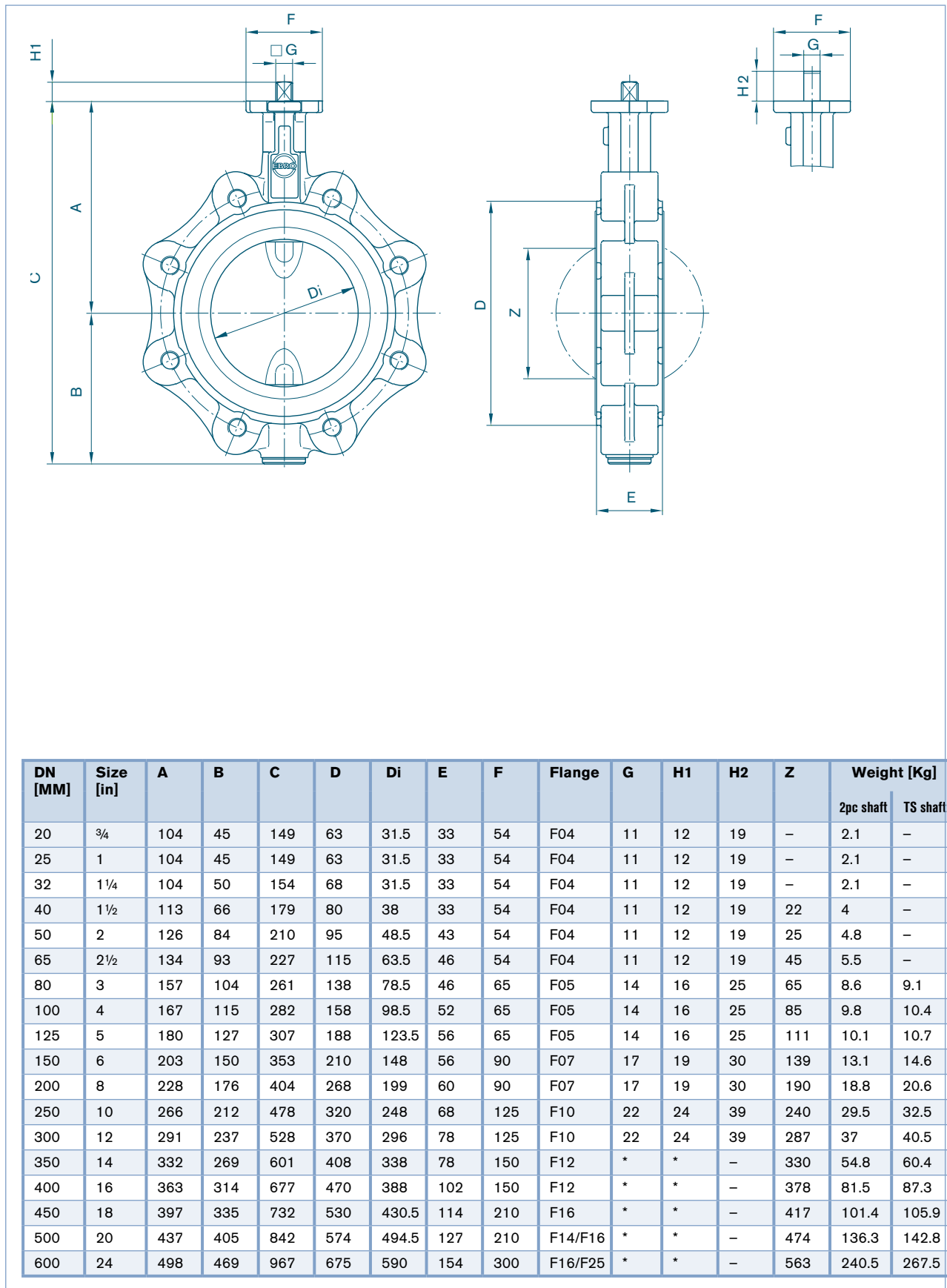
DN [MM]	Size [in]	A	B	C	D	Di	E	F	Flange	G	H1	H2	Z	Weight [Kg]	
														2pc shaft	TS shaft
20	¾	104	45	149	59	31.5	33	54	F04	11	12	19	-	1.3	-
25	1	104	45	149	63	31.5	33	54	F04	11	12	19	-	1.3	-
32	1¼	104	50	154	68	31.5	33	54	F04	11	12	19	-	1.4	-
40	1½	113	66	179	80	38	33	54	F04	11	12	19	22	1.8	-
50	2	126	84	210	95	48.5	43	54	F04	11	12	19	25	2.2	-
65	2½	134	93	227	115	63.5	46	54	F04	11	12	19	45	2.9	-
80	3	157	104	261	138	78.5	46	65	F05	14	16	25	65	4	4.5
100	4	167	115	282	158	98.5	52	65	F05	14	16	25	85	5.2	5.8
125	5	180	127	307	188	123.5	56	65	F05	14	16	25	111	6.9	7.5
150	6	203	150	353	212	148	56	90	F07	17	19	30	139	9.5	11
200	8	228	176	404	268	199	60	90	F07	17	19	30	190	13.2	15
250	10	266	212	478	320	248	68	125	F10	22	24	39	240	22.5	25.5
300	12	291	237	528	370	296	78	125	F10	22	24	39	287	31.5	35
350	14	332	269	601	408	338	78	150	F12	*	*	-	330	39.4	45
400	16	363	314	677	470	388	102	150	F12	*	*	-	378	58.7	64.5
450	18	397	335	732	530	430.5	114	210	F16	*	*	-	417	91	95.5
500	20	437	405	842	574	494.5	127	210	F14/ F16	*	*	-	474	107	113.5
600	24	498	469	967	675	590	154	300	F16/ F25	*	*	-	563	171	198
700	28	581	507	1088	772	680	165	300	F16/ F25	*	*	-	660	251	304
800	32	630	556	1186	874	780	190	300	F25	*	*	-	757	355	375
900	36	696	617	1313	973	880	203	300	F25	*	*	-	860	456	498
1000	40	771	675	1446	1070	980	216	350	F30	*	*	-	956	570	718
1200	48	880	810	1690	1510	1170	254	350	F30	*	*	-	1154	-	1156

Lugged type valve dimensions [mm]



DN	Actuator size		A	C	E		F		G		H	
	SR	DA			SR	DA	SR	DA	SR	DA	SR	DA
50	RI000	RI000	126	210	111.3	111.3	237.3	237.3	321.3	321.3	152.3	152.3
65	RI005	RI000	134	227	128.3	111.3	262.3	245.3	355.3	338.3	200.8	152.3
80	RI010	RI005	157	261	132.3	128.3	289.3	285.3	393.3	389.3	224.4	200.8
100	RI015	RI005	167	282	147.8	128.3	314.8	295.3	429.8	410.3	264.2	200.8
150	RI030	RI020	203	353	211	156.3	414	359.3	564	509.3	479	309.5
200	RI040	RI025	228	404	272	184.3	500	412.3	676	588.3	598	366.2
250	RI040	RI030	266	478	272	211	538	477	750	689	598	479
300	RI040	RI030	291	528	272	211	563	502	800	739	598	479

Lugged type valve dimensions [mm]



Technical data: Rilsan coated pneumatic actuator

Rilsan coated pneumatic actuator

Bürkert's range of pneumatic actuators for quarter turn valves fulfil a wide variety of on/off process applications. Available in double acting and spring return configuration, these actuators deliver exceptionally long service life.

The actuator shown here is extremely protected against corrosion by double coating of epoxy (cataphoresis) and Rilsan (internal & external). All materials are resistant to oxidation (silicone free); the actuators are even rated to be water-actuated. This level of protection suits the valve system to field deployment in extreme conditions.

A wide selection of accessories is available including:

- Limit switches
- Positioners
- Manual override

Actuators require pilot solenoid valve; see accessories list.



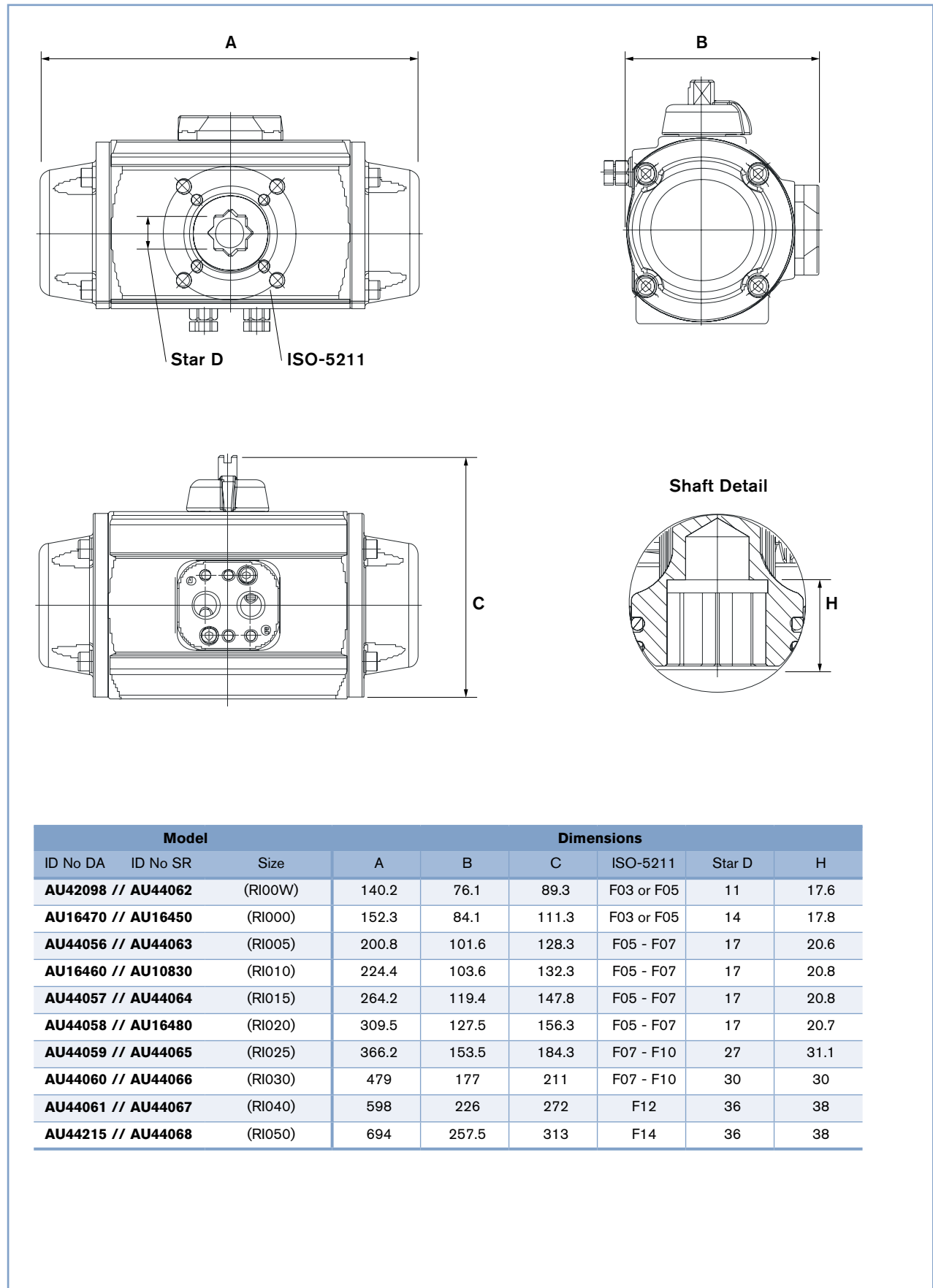
Double acting actuator

Actuator		Torque Nm (at given air pressure)				Weight
ID No	Size	5 bar	5.5 bar	6 bar	7 bar	Kg
AU42098	(RI0W DA)	14.1	15.5	17	19.8	0.92
AU16470	(RI000 DA)	20.5	22.7	25	29.5	1.4
AU44056	(RI005 DA)	41	45.3	49.7	58.4	2.57
AU16460	(RI010 DA)	58.3	65	71	83.7	3.08
AU44057	(RI015 DA)	96	106.2	116.5	136.9	4.2
AU44058	(RI020 DA)	136.3	151	165.5	194.8	5.61
AU44059	(RI025 DA)	240	264.9	290	339.9	9.3
AU44060	(RI030 DA)	388.3		469.2	550.1	9.1
AU44061	(RI040 DA)	980.8		1179.9	1379.1	17.6
AU44215	(RI050 DA)	1710.9		2067.4	2423.8	30.7

Spring return actuator

Actuator		Spring No.	Spring Torques		Torque Nm (at given air pressure)								Weight Kg
ID No	Size		Initial	End	5 bar		5.5 bar		6 bar		7 bar		
AU44062	(RI0W SR)	6 + 6	10	6.7	7.4	4.1	8.8	5.5	10.3	7	13.1	9.8	1
AU16450	(RI000 SR)	6 + 6	16.5	11.1	9.4	4	11.6	6.2	13.9	8.5	18.4	13	1.6
AU44063	(RI005 SR)	6 + 6	31.4	20.9	20.1	9.6	24.4	13.9	28.8	18.3	37.5	27	2.94
AU10830	(RI010 SR)	6 + 6	45.6	30.8	27.5	12.7	34.2	19.4	40.2	25.4	52.9	38.1	3.48
AU44064	(RI015 SR)	6 + 6	71.5	49	47	24.5	57.2	34.7	67.5	45	87.9	65.4	5.04
AU16480	(RI020 SR)	6 + 6	104.7	65.8	70.5	31.6	85.2	46.3	99.7	60.8	129	90.1	6.63
AU44065	(RI025 SR)	6 + 6	181.8	119.4	120.6	58.2	145.5	83.1	170.6	108.2	220.5	158.1	11.3
AU44066	(RI030 SR)	4 + 4	273.7	179.9	208.4	114.6			289.3	195.5	370.2	276.4	15.9
AU44067	(RI040 SR)	4 + 4	766.9	491.6	489.1	213.8			688.3	413	887.4	612.1	36.4
AU44068	(RI050 SR)	4 + 4	1206	723.6	987.4	505			1343.8	861.4	1700.2	1217.8	58.4

Technical data: Rilsan coated pneumatic actuator




Model			Dimensions						
ID No DA	ID No SR	Size	A	B	C	ISO-5211	Star D	H	
AU42098 // AU44062		(RI00W)	140.2	76.1	89.3	F03 or F05	11	17.6	
AU16470 // AU16450		(RI000)	152.3	84.1	111.3	F03 or F05	14	17.8	
AU44056 // AU44063		(RI005)	200.8	101.6	128.3	F05 - F07	17	20.6	
AU16460 // AU10830		(RI010)	224.4	103.6	132.3	F05 - F07	17	20.8	
AU44057 // AU44064		(RI015)	264.2	119.4	147.8	F05 - F07	17	20.8	
AU44058 // AU16480		(RI020)	309.5	127.5	156.3	F05 - F07	17	20.7	
AU44059 // AU44065		(RI025)	366.2	153.5	184.3	F07 - F10	27	31.1	
AU44060 // AU44066		(RI030)	479	177	211	F07 - F10	30	30	
AU44061 // AU44067		(RI040)	598	226	272	F12	36	38	
AU44215 // AU44068		(RI050)	694	257.5	313	F14	36	38	

Ordering chart, actuated butterfly valve

Complete butterfly valve system. Cast iron valve body with stainless steel disk and EPDM seal.
Pneumatic actuator, rack and pinion type with rilsan cataphoresis coating.

Configuration	Orifice Diameter	Kv value [m3/h]	Pressure Range	Optional Accessory: Switch Box	Double Acting	Spring Return
Lugged	50mm	85	16 bar	Size 2	AU47200	AU44271
	65mm	215	16 bar	Size 2	AU46271	AU47215
	80mm	420	16 bar	Size 2	AU46991	AU44270
	100mm	800	16 bar	Size 2	AU46272	AU46884
	150mm	2100	16 bar	Size 2	AU46381	AU47209
	200mm	4000	16 bar	Size 2 // Size 3	AU46108	AU47208
	250mm	6400	16 bar	Size 2 // Size 3	AU47201	AU47207
	300mm	8500	10 bar	Size 3	AU46380	AU47206
Wafer	50mm	85	16 bar	Size 2	AU18110	AU17310
	65mm	215	16 bar	Size 2	AU18120	AU18090
	80mm	420	16 bar	Size 2	AU10680	AU14420
	100mm	800	16 bar	Size 2	AU18130	AU11110
	150mm	2100	16 bar	Size 2	AU17630	AU16970
	200mm	4000	16 bar	Size 2 // Size 3	AU15300	AU18100
	250mm	6400	16 bar	Size 2 // Size 3	AU16960	AU44193
	300mm	8500	10 bar	Size 3	AU44192	AU44194

i Further versions on request

 **Process connection**

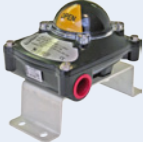



 **Material**
Body & seals, actuators

Ordering chart for accessories for Type 2671 (to be ordered separately)

Type 2671 pneumatically actuated butterfly valves require pneumatic piloting. Standardised piloting kits for Type 2671 shown below. Variations available (eg all voltage variations available).

	Item description	ID No	
		24V DC	240V AC
For Direct Acting type	Type 6519 pilot solenoid valve with namur type service port and G1/4" air ports. Normally closed 3/2, 5/2 Way circuit function. PA body with stainless steel inserts.	131425	131428
	Type 2508 DIN Plug, with LED.	008360	008362
	Silencer, sintered broze table type (male) for G1/4".	781889	
	Tubing, flexible nylon (Rilsan), per meter	AU03280	
For Spring Return type	Type 6014 pilot solenoid valve with G1/4" service port and G1/4" air ports. Normally closed 3/2 Way circuit function. PA/Brass/Aluminium body with FKM seal.	424103	424107
	Type 2508 DIN Plug, with LED.	008360	008362
	Silencer, sintered broze table type (male) for G1/4".	781889	
	Tubing, flexible nylon (Rilsan), per meter	AU03280	

Selection of Type 2671 pneumatically actuated butterfly valve accessories; including feedbacks, digital positioner & process controller and stainless steel protective hood.

Item description	ID No
 <p>Top mounted switch box, Size 1. For visual position indication. Aluminium die cast, polycarb.</p>	AU50858
<p>Top mounted switch box, Size 2. For visual position indication. Aluminium die cast, polycarb.</p>	AU50606
<p>Top mounted switch box, Size 3. For visual position indication. Aluminium die cast, polycarb.</p> <p>*NB All units on ordering chart indicate which size switch box suits with 'Optional Accessory Size'</p>	AU50607
 <p>Type 8793 electropneumatic positioner with integral PID controller for quarter turn valves. Spring Return & Double Acting actuator type. Operating voltage 24V DC.</p>	AU33833
<p>Type 8791 Basic electropneumatic positioner for quarter turn valves. For Spring Return & Double Acting actuator type. Operating voltage 24V DC.</p>	AU34503
 <p>Dual proximity switch feedback for mount onto quarter turn valves. Size 1.</p>	AU46486
<p>Dual proximity switch feedback for mount onto quarter turn valves. Size 2.</p>	AU46487
<p>*NB Ordering chart indicates 'Optional Accessory Size' Size 3.</p>	AU46860
 <p>Protective hood for quarter turn valves, stainless steel. Designed for protection from weather and sun to deliver long service life.</p>	AU33834

In case of special application conditions, please consult for advice.

We reserve the right to make technical changes without notice.
© Christian Bürkert GmbH & Co. KG

201011-2671-Bfly-Pneu_AU-EN