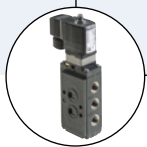


2/2-way Flanged Quarter-Turn ball valve in stainless steel, pneumatic

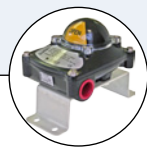


- Compact robust design
- Actuator Rilsan/cataphoresis coated inside & out
- ISO pad standard on all components
- Pilot valve connection NAMUR
- Complete accessory range available

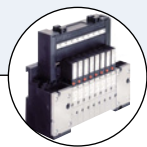
Type 2655 can be combined with...



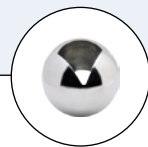
Type 6519 Namur
Pilot valve, direct Namur mount



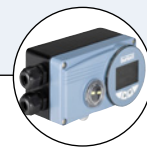
Feedback
Switch box



Type 8640
Pneumatic valve bank



V-Port Valve
Ball valves with V-Balls



Type 8792
Digital positioner, electropneumatic



Type 8222
ELEMENT conductivity transmitter

Complete ball valve system Type 2655 consists of a pneumatic quarter turn actuator and a 2/2-way ball valve. This datasheet details the flanged version of this assembly.

The connection between the actuator and the ball valve takes place via a standard interface (ISO flange connection).

The compact, pneumatically actuated ball valve can be employed for a wide range of applications, even under heavy-duty, slightly aggressive conditions.

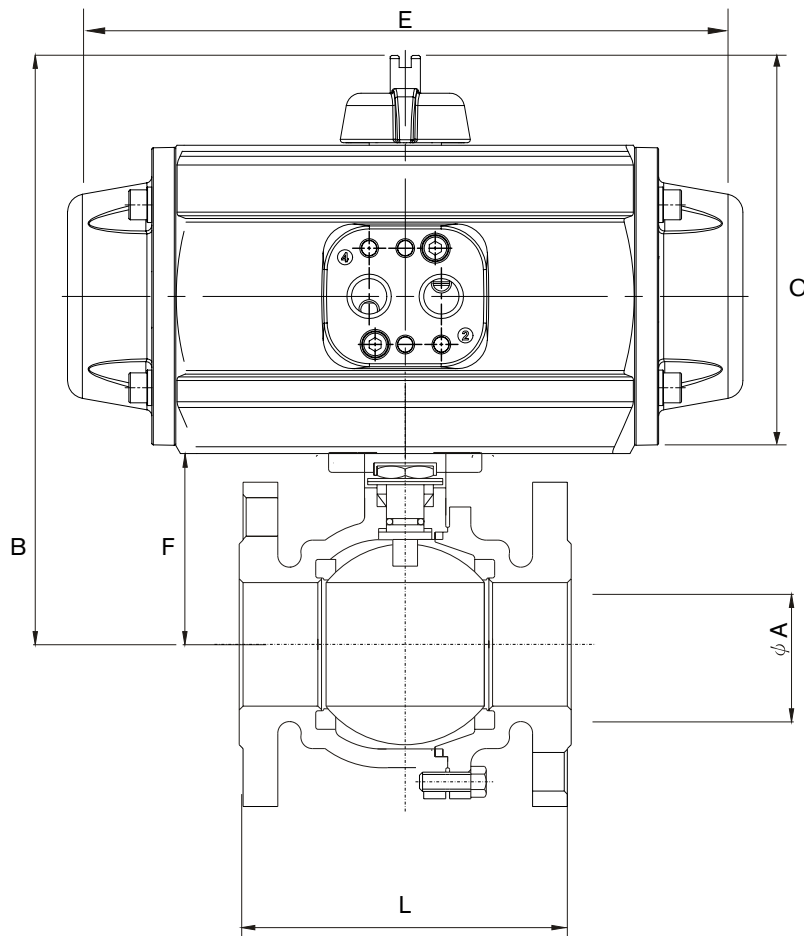
High quality V-Port ball valves available, with 30° and 60° V-Port valves available standard (other angles on request).

Applications

- Chemical process engineering
- Food and feed processing
- Machine industry
- Water treatment
- Cleaning machines
- Drinking water distribution etc.

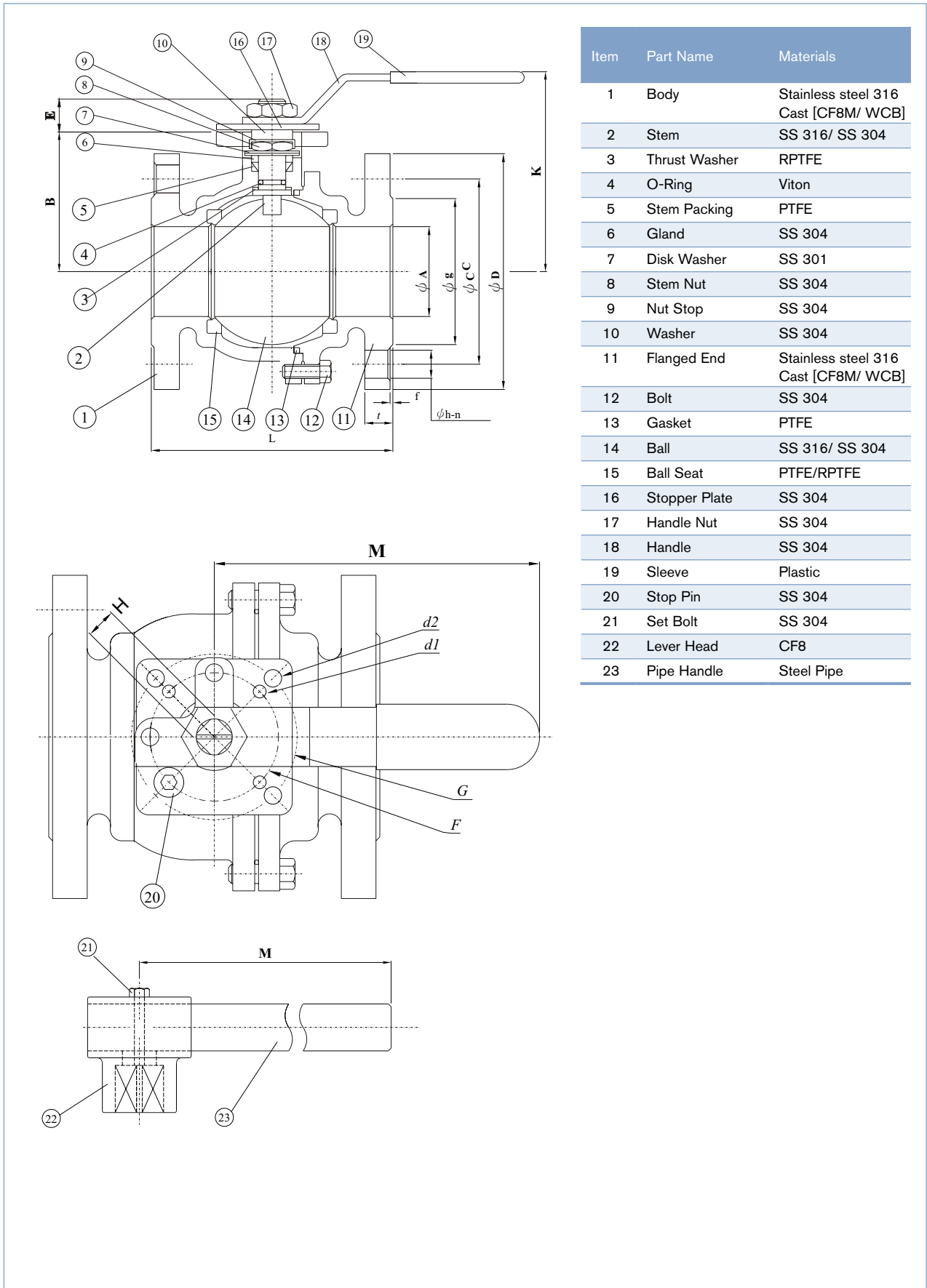
Technical data	
Orifice	DN 15 - 100
Body Material	Stainless steel
Actuator material	Rilsan & Epoxy coated Aluminium
Valve seal material	PTFE
Pilot air ports material	Stainless steel
Media	Gaseous and liquid media, which do not attack the body and sealing materials
Media temperature	-30 to +200°C (pressure dependent)
Ambient temperature	-10 to +60°C
Control medium	Pneumatic air (neutral gases) Can be actuated with water & other neutral fluids
Port connection	ANSI Flange 1/2" .. 4" Other sizes & port types on request See separate datasheet for threaded/weld ends
Pilot pressure	Double-acting actuator Spring-return actuator
	3 .. 8 bar 5 .. 8 bar
Cycle time to open//close	Double-acting actuator Spring-return actuator
	0.15 seconds (depending on load and pilot pressure) 0.2 seconds (depending on load and pilot pressure)
Connection between actuator and ball valve	Flange acc. to ISO 5211 or DIN 3337
Rotation	90° ±3°
Installation	As required, preferably with actuator in upright position

Valve dimensions [mm]



Valve Size	Actuator Size (SR)	Actuator Size (DA)	A	F	B (SR)	B (DA)	C (SR)	C (DA)	E (SR)	E (DA)	L
1/2"	RI000	RI00W	15	48	159.3	137.3	111.3	89.3	152.3	140.2	63.5
3/4"	RI005	RI00W	20	53	181.3	142.3	128.3	89.3	200.8	140.2	75.5
1"	RI005	RI00W	25	59	187.3	148.3	128.3	89.3	200.8	140.2	86
1 1/4"	RI010	RI000	32	71	203.3	182.3	132.3	111.3	224.4	152.3	96
1 1/2"	RI010	RI005	38	76	208.3	204.3	132.3	128.3	224.4	200.8	111
2"	RI015	RI005	50	85	232.8	213.3	147.8	128.3	264.2	200.8	129
2 1/2"	RI025	RI015	65	93.5	277.8	241.3	184.3	147.8	366.2	264.2	152.5
3"	RI025	RI015	80	103	287.3	250.8	184.3	147.8	366.2	264.2	168.5
4"	RI030	RI025	100	132	343	316.3	211	184.3	479	366.2	212.5

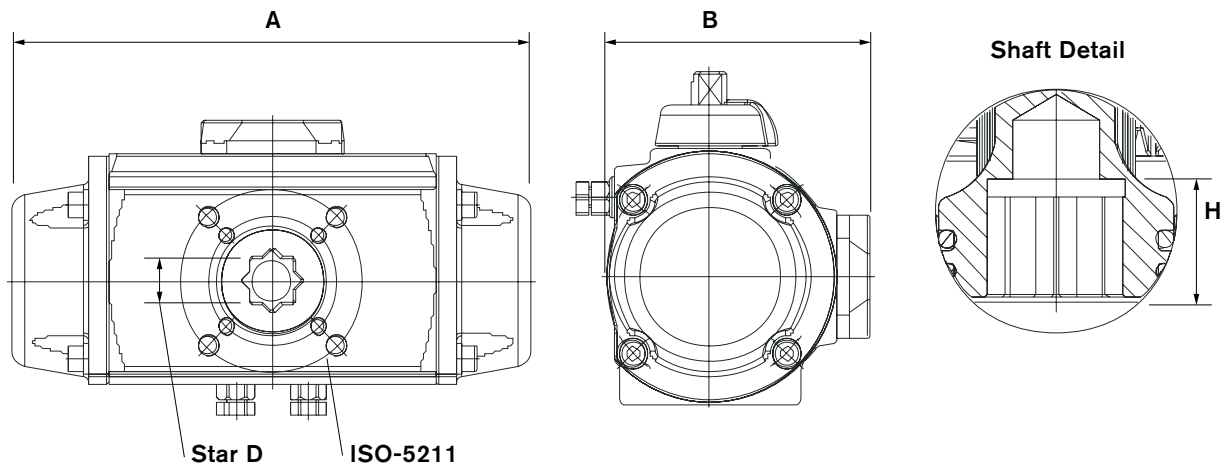
Valve dimensions [mm], continued (body detail)



Valve dimensions [mm], continued (body detail)

Size	A	B	E	L	H	K	M	F	G	d1	d2	D	C	h	N	t	g	f	W [kg]
1/2"	15	48	11	108	9	80	130	36	42	6	6	89	60.5	16	4	11.5	35	1.6	1.73
3/4"	20	53	11	117	9	80	130	36	42	6	6	98	70	16	4	11.5	43	1.6	2.13
1"	25	59	14	127	11	90	165	42	50	6	7	108	79.5	16	4	11.5	51	1.6	2.92
1 1/4"	32	71	14	140	11	102	165	42	50	6	7	117	89	16	4	12.7	64	1.6	4.02
1 1/2"	38	76	18	165	14	110	205	50	70	7	9.2	127	98.5	16	4	14.3	73	1.6	5.9
2"	50	85	18	178	14	120	205	50	70	7	9.2	152	120.5	19	4	15.9	92	1.6	8.72
2 1/2"	65	93.5	23	190	17	140	300	70	102	9.2	11.4	178	139.5	19	4	17.8	105	1.6	13.33
3"	80	103	23	203	17	150	340	70	102	9.2	11.4	190	152.5	19	4	19.1	127	1.6	17.03
4"	100	132	25	229	22	180	420	102	125	11.4	13.5	229	190.5	19	8	24	157	1.6	28.98

Valve dimensions [mm], continued (actuator detail)



Model			Dimensions					
ID No DA	ID No SR	Size	A	B	C	ISO-5211	Star D	H
AU42098	AU44062	(RI00W)	140.2	76.1	89.3	F03 or F05	11	17.6
AU16470	AU16450	(RI000)	152.3	84.1	111.3	F03 or F05	14	17.8
AU44056	AU44063	(RI005)	200.8	101.6	128.3	F05 - F07	17	20.6
AU16460	AU10830	(RI010)	224.4	103.6	132.3	F05 - F07	17	20.8
AU44057	AU44064	(RI015)	264.2	119.4	147.8	F05 - F07	17	20.8
AU44058	AU16480	(RI020)	309.5	127.5	156.3	F05 - F07	17	20.7
AU44059	AU44065	(RI025)	366.2	153.5	184.3	F07 - F10	27	31.1
AU44060	AU44066	(RI030)	479	177	211	F07 - F10	30	30
AU44061	AU44067	(RI040)	598	226	272	F12	36	38
AU44215	AU44068	(RI050)	694	257.5	313	F14	36	38

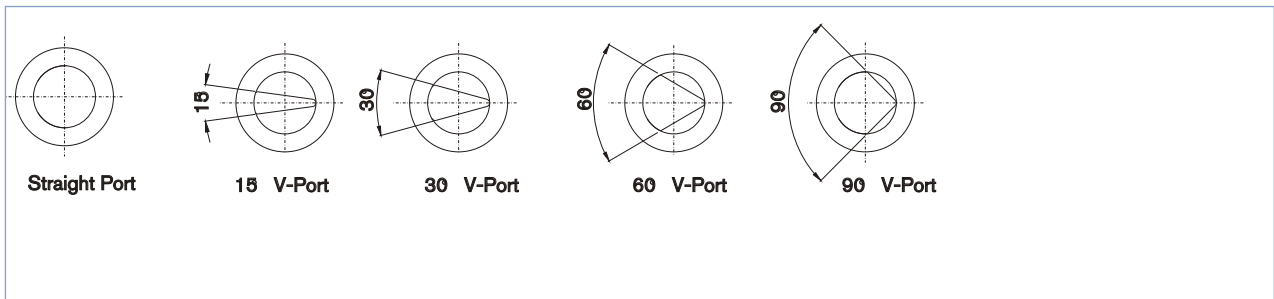
Technical data

Orifice & port sizes, with media pressure range

Orifice	Ports	Pressure Range	
		Double Acting	Spring Return
15 mm	1/2" ANSI Flanged	21 bar	21 bar
20 mm	3/4" ANSI Flanged	21 bar	21 bar
25 mm	1" ANSI Flanged	21 bar	21 bar
32 mm	1 1/4" ANSI Flanged	21 bar	21 bar
40 mm	1 1/2" ANSI Flanged	21 bar	21 bar
50 mm	2" ANSI Flanged	21 bar	21 bar
65 mm	2 1/2" ANSI Flanged	21 bar	21 bar
80 mm	3" ANSI Flanged	21 bar	21 bar
100 mm	4" ANSI Flanged	21 bar	21 bar


Valve V-Notch ball option

Option for modulating ball valves; 30° & 60° standard - other angles on request



Ordering chart for valves (other versions on request)

Pneumatically actuated 2/2-way ball valve with ANSI flanged ports

	Valve function	Orifice [mm]	Port size	Pressure	Body material	Seal material	Item no.	Optional Switchbox accessory size
	Double Acting	15	½"	21 bar	SS-316	PTFE	AU46159	Size 1
		20	¾"	21 bar	SS-316	PTFE	AU46160	Size 1
		25	1"	21 bar	SS-316	PTFE	AU46161	Size 2
		32	1¼"	21 bar	SS-316	PTFE	AU46162	Size 2
		40	1½"	21 bar	SS-316	PTFE	AU46163	Size 2
		50	2"	21 bar	SS-316	PTFE	AU46164	Size 2
		65	2½"	21 bar	SS-316	PTFE	AU46165	Size 2
		80	3"	21 bar	SS-316	PTFE	AU46166	Size 2
		100	4"	21 bar	SS-316	PTFE	AU46167	Size 2
	Spring Return	15	½"	21 bar	SS-316	PTFE	AU46020	Size 2
		20	¾"	21 bar	SS-316	PTFE	AU46021	Size 2
		25	1"	21 bar	SS-316	PTFE	AU46022	Size 2
		32	1¼"	21 bar	SS-316	PTFE	AU46023	Size 2
		40	1½"	21 bar	SS-316	PTFE	AU46024	Size 2
		50	2"	21 bar	SS-316	PTFE	AU46025	Size 2
		65	2½"	21 bar	SS-316	PTFE	AU46026	Size 2
		80	3"	21 bar	SS-316	PTFE	AU46027	Size 2
		100	4"	21 bar	SS-316	PTFE	AU46028	Size 3

i Further versions on request

 Port Connection

 Approvals



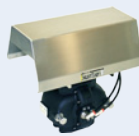
 Temperature

Ordering chart for accessories for Type 2655 (to be ordered separately)

Type 2655 pneumatically actuated ball valves require pneumatic piloting. Standardised piloting kits for Type 2655 shown below. Variations available (eg all voltage variations available).

Item description	ID No	
	24V DC	240V AC
For Double Acting type Type 6519 pilot solenoid valve with namur type service port and G1/4" air ports. Normally closed 3/2, 5/2 Way circuit function. PA body with stainless steel inserts. Type 2508 DIN Plug, with LED. Silencer, sintered broze table type (male) for G1/4". Tubing, flexible nylon (Rilsan), per meter	131425	131428
	008360	008362
	781889	
	AU03280	
For Spring Return type Type 6014 pilot solenoid valve with G1/4" service port and G1/4" air ports. Normally closed 3/2 Way circuit function. PA/Brass/Aluminium body with FKM seal. Type 2508 DIN Plug, with LED. Silencer, sintered broze table type (male) for G1/4". Tubing, flexible nylon (Rilsan), per meter	424103	424107
	008360	008362
	781889	
	AU03280	

Type 2655 pneumatically actuated ball valve accessories. Top mounted switchbox, for visual position indication, Type 8791 positioner and 8783 process controller.

Item description	ID No
 <p>Top mounted switch box, Size 1. For visual position indication. Aluminium die cast, polycarb.</p>	AU50858
<p>Top mounted switch box, Size 2. For visual position indication. Aluminium die cast, polycarb.</p>	AU50606
<p>Top mounted switch box, Size 3. For visual position indication. Aluminium die cast, polycarb.</p> <p>*NB All units on ordering chart indicate which size switch box suits</p>	AU50607
 <p>Type 8793 electropneumatic positioner with integral process controller (PID). IP65/67. For Spring Return & Double Acting valves. Operating voltage 24V DC.</p> <p>Type 8792 electropneumatic digital positioner. IP65/67. Digital display, direct programming & netwok ready. For Spring Return & Double Acting valves.</p>	Multiple feature, input, output options; see datasheets
 <p>Protective hood for quarter turn valves, stainless steel. Designed for protection from weather and sun to deliver long service life.</p>	AU33834