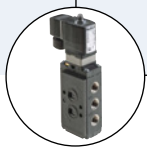


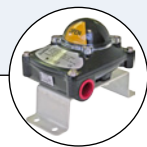
2/2-way Quarter-Turn ball valve in stainless steel with pneumatic actuator



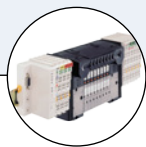
Type 2655 can be combined with...



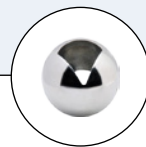
Type 6519 Namur
Pilot valve



Feedback
Switch box



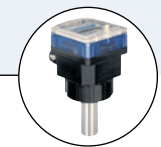
Type 8644
AirLINE control system



V-Port Valve
Ball valves with V-Balls



Type 8792
Digital positioner



Type 8045
Insertion Magflow Meter

- Semi lugged stainless steel body
- Compact design; 3 piece
- ISO pad standard on all components
- Pilot valve connection NAMUR
- Complete accessory range available

Complete ball valve system Type 2655 consists of a pneumatic quarter turn actuator and a 2/2-way ball valve. This datasheet details the threaded or weld connection versions; see separate datasheet for flanged valves. The ball valve body is 3-piece. The connection between the actuator and the ball valve takes place via a standard interface (ISO flange connection).

The compact, pneumatically actuated ball valve can be employed for a wide range of applications, even under heavy-duty, slightly aggressive conditions.

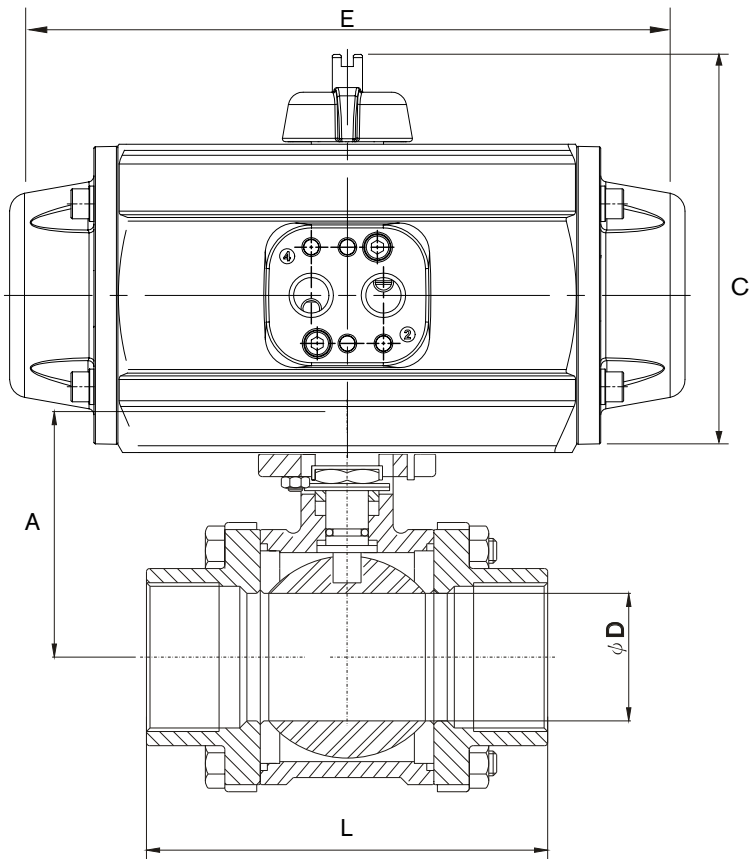
High quality V-Port ball valves available, with 30° and 60° V-Port valves available standard (other angles on request).

Applications

- Chemical process engineering
- Food and feed processing
- Machine industry
- Water treatment
- Cleaning machines
- Drinking water distribution etc.

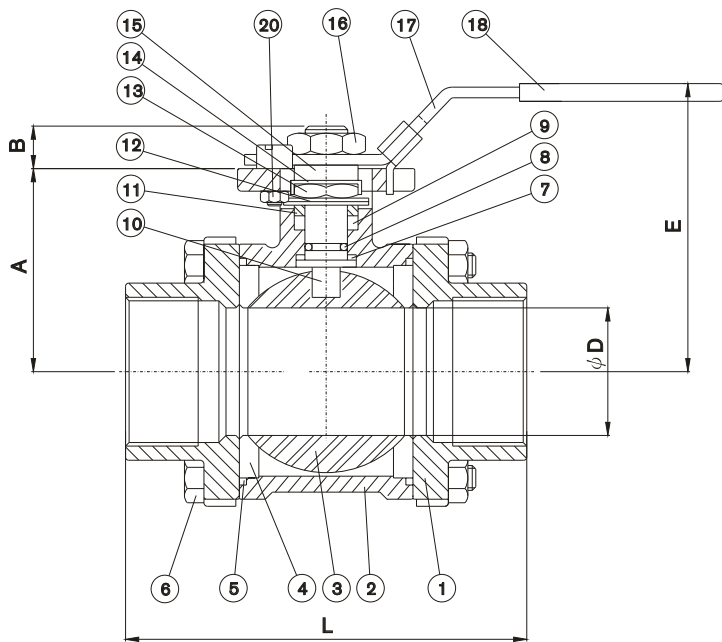
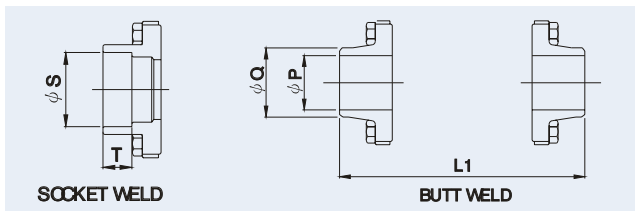
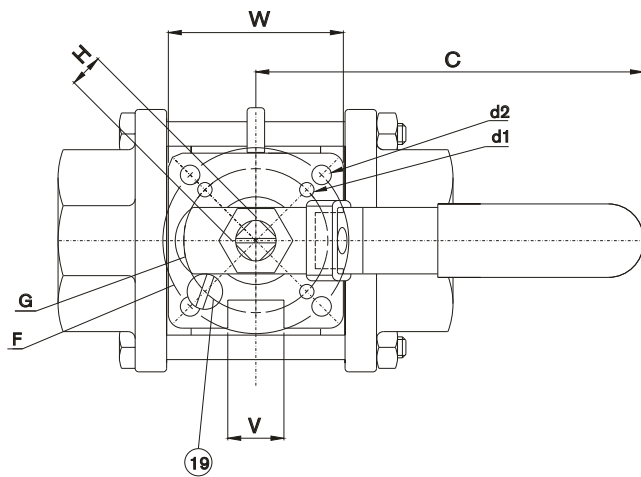
Technical data	
Orifice	DN 15 - 100
Body Material	Stainless steel
Actuator material	Rilsan & Epoxy coated Aluminium
Valve seal material	PTFE
Pilot air ports material	Stainless steel
Media	Gaseous and liquid media, which do not attack the body and sealing materials
Media temperature	-10 to +180°C
Ambient temperature	-10 to +60°C
Control medium	Pneumatic air (neutral gases) Can be actuated with water & other neutral fluids
Port connection	BSP threaded port 1/2" .. 4" Other sizes & port types on request, weld, etc See separate datasheet for flanged version
Pilot pressure	Double-acting actuator Spring-return actuator
	3 .. 8 bar 5 .. 8 bar
Cycle time to open//close	Double-acting actuator Spring-return actuator
	0.15 seconds (depending on load and pilot pressure) 0.2 seconds (depending on load and pilot pressure)
Connection between actuator and ball valve	Flange acc. to ISO 5211 or DIN 3337
Rotation	90° ±3°
Installation	As required, preferably with actuator in upright position

Valve dimensions [mm]



Valve Size	Actuator Size (SR)	Actuator Size (DA)	D	A	B (SR)	B (DA)	C (SR)	C (DA)	E (SR)	E (DA)	L
1/2"	RI000	RI00W	15	37	148.3	126.3	111.3	89.3	152.3	140.2	63.5
3/4"	RI000	RI00W	20	40	151.3	129.3	111.3	89.3	152.3	140.2	75.5
1"	RI005	RI00W	25	48	176.3	137.3	128.3	89.3	200.8	140.2	86
1 1/4"	RI005	RI000	32	53.5	181.8	164.8	128.3	111.3	200.8	152.3	96
1 1/2"	RI010	RI005	38	63.5	195.8	191.8	132.3	128.3	224.4	200.8	111
2"	RI015	RI005	50	72	219.8	200.3	147.8	128.3	264.2	200.8	129
2 1/2"	RI020	RI010	65	92	248.3	224.3	156.3	132.3	309.5	224.4	152.5
3"	RI025	RI015	80	102	286.3	249.8	184.3	147.8	366.2	264.2	168.5
4"	RI030	RI020	100	132	343	288.3	211	156.3	479	309.5	212.5

Valve dimensions [mm], continued (body detail)

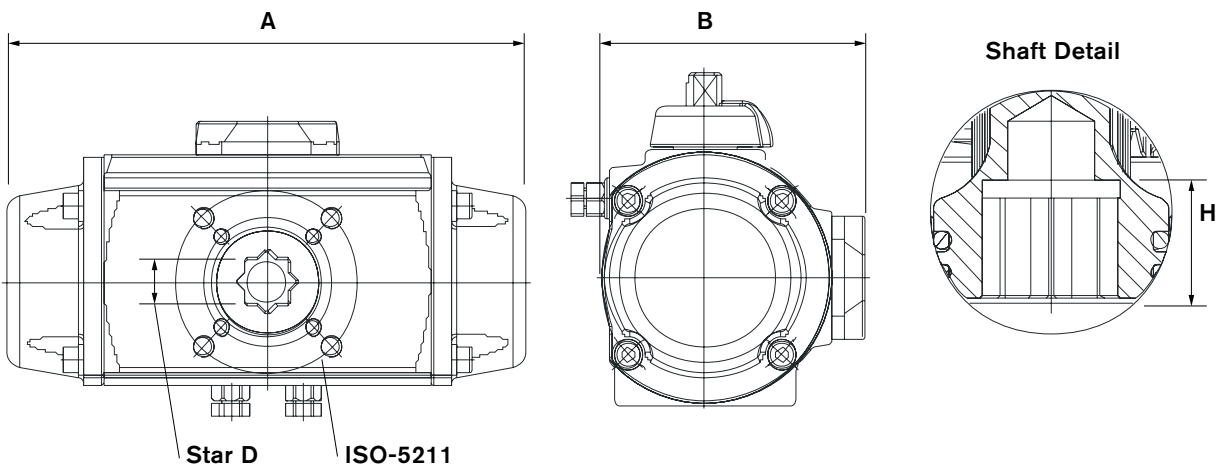


Item	Part Name	Materials
1	End Cap	CF8M
2	Body	CF8M
3	Ball	SS 316
4	Seat	PTFE
5	Gasket	PTFE
6	Bolts	SS 304
7	Thrust Washer	RPTFE
8	O-Ring	VITON
9	Stem Packing	PTFE
10	Stem	SS 316
11	Gland	SS 304
12	Disk Washer	SS 301
13	Stem Nut	SS 304
14	Nut Stop	SS 304
15	Space Washer	SS 304
16	Handle Nut	SS 304
17	Handle	SS 304
18	Handle Cover	PLASTIC
19	Stop Pin	SS 304
20	Nut	SS 304

Valve dimensions [mm], continued (body detail)

Size	A	B	C	D	d1	d2	E	F	G	H	L	S	T	P	Q	L1	V	W
1/4"	37	11	130	11	6	6	58	36	42	9	60.5	14.2	11.1	10	17	60.5	19	44
3/8"	37	11	130	12.5	6	6	58	36	42	9	60.5	17.5	11.1	12	19	60.5	19	44
1/2"	37	11	130	15	6	6	58	36	42	9	63.5	21.8	12.7	15	21.5	63.5	19	44
3/4"	40	11	130	20	6	6	64	36	45	9	75.5	27.1	14.3	20	27.5	75.5	19	44
1"	48	14	155	25	6	7	77	42	50	11	86	33.8	15.9	25	34.5	86	24	52
1 1/4"	53.5	14	155	32	6	7	83	42	50	11	96	42.5	17.5	32	42.8	104	24	52
1 1/2"	63.5	18	205	38	7	9	92	50	70	14	111	48.7	19.1	38	49	117	28	53
2"	72	18	205	50	7	9	100	50	70	14	129	61.1	22.2	50	61	138	28	53
2 1/2"	92	22	290	65	9	11.3	140	70	102	17	152.5	73.9	22.2	65	77	170	-	-
3"	102	22	290	80	9	11.3	150	70	102	17	168.5	89.9	25.4	80	91	192	-	-
4"	132	26	335	100	11.3	13.5	195	102	125	22	212.5	115.2	32	100	118	226	-	-

Valve dimensions [mm], continued (actuator detail)



Model			Dimensions					
ID No DA	ID No SR	Size	A	B	C	ISO-5211	Star D	H
AU42098	AU44062	(RI00W)	140.2	76.1	89.3	F03 or F05	11	17.6
AU16470	AU16450	(RI000)	152.3	84.1	111.3	F03 or F05	14	17.8
AU44056	AU44063	(RI005)	200.8	101.6	128.3	F05 - F07	17	20.6
AU16460	AU10830	(RI010)	224.4	103.6	132.3	F05 - F07	17	20.8
AU44057	AU44064	(RI015)	264.2	119.4	147.8	F05 - F07	17	20.8
AU44058	AU16480	(RI020)	309.5	127.5	156.3	F05 - F07	17	20.7
AU44059	AU44065	(RI025)	366.2	153.5	184.3	F07 - F10	27	31.1
AU44060	AU44066	(RI030)	479	177	211	F07 - F10	30	30
AU44061	AU44067	(RI040)	598	226	272	F12	36	38
AU44215	AU44068	(RI050)	694	257.5	313	F14	36	38

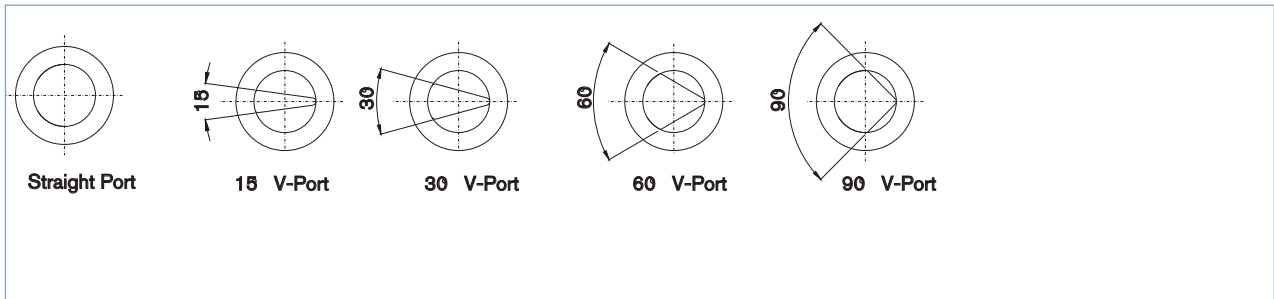
Technical data

Orifice & port sizes, with media pressure range

Orifice	Ports	Pressure Range	
		Double Acting	Spring Return
15 mm	1/2" BSP	70 bar	70 bar
20 mm	3/4" BSP	70 bar	70 bar
25 mm	1" BSP	70 bar	70 bar
32 mm	1 1/4" BSP	70 bar	70 bar
40 mm	1 1/2" BSP	70 bar	70 bar
50 mm	2" BSP	70 bar	70 bar
65 mm	2 1/2" BSP	50 bar	50 bar
80 mm	3" BSP	50 bar	50 bar
100 mm	4" BSP	50 bar	50 bar


Valve V-Notch ball option

Option for modulating ball valves; 30° & 60° standard - other angles on request



Ordering chart for valves (other versions on request)

Pneumatically actuated 2/2-way ball valve with BSP ports

	Valve function	Orifice [mm]	Port size	Pressure	Body material	Seal material	Item no.	Optional Switchbox accessory size
	Double Acting 2/2 Way	15	½"	70 bar	SS-316	PTFE	AU16230	Size 1
		20	¾"	70 bar	SS-316	PTFE	AU16240	Size 1
		25	1"	70 bar	SS-316	PTFE	AU16250	Size 2
		32	1¼"	70 bar	SS-316	PTFE	AU16260	Size 2
		40	1½"	70 bar	SS-316	PTFE	AU16270	Size 2
		50	2"	70 bar	SS-316	PTFE	AU15330	Size 2
		65	2½"	50 bar	SS-316	PTFE	AU44172	Size 2
		80	3"	50 bar	SS-316	PTFE	AU44173	Size 2
		100	4"	50 bar	SS-316	PTFE	AU44174	Size 2
	Spring Return, 2/2 Way	15	½"	70 bar	SS-316	PTFE	AU10520	Size 2
		20	¾"	70 bar	SS-316	PTFE	AU11670	Size 2
		25	1"	70 bar	SS-316	PTFE	AU10710	Size 2
		32	1¼"	70 bar	SS-316	PTFE	AU16220	Size 2
		40	1½"	70 bar	SS-316	PTFE	AU10380	Size 2
		50	2"	70 bar	SS-316	PTFE	AU15170	Size 2
		65	2½"	50 bar	SS-316	PTFE	AU44175	Size 2
		80	3"	50 bar	SS-316	PTFE	AU44176	Size 2
		100	4"	50 bar	SS-316	PTFE	AU44177	Size 3

i Further versions on request

 Port Connection

 Approvals



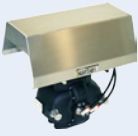
 Temperature

Ordering chart for accessories for Type 2655 (to be ordered separately)

Type 2655 pneumatically actuated ball valves require pneumatic piloting. Standardised piloting kits for Type 2655 shown below. Variations available (eg all voltage variations available).

Item description	ID No	
	24V DC	240V AC
For Double Acting type Type 6519 pilot solenoid valve with namur type service port and G1/4" air ports. Normally closed 3/2, 5/2 Way circuit function. PA body with stainless steel inserts. Type 2508 DIN Plug, with LED.	131425	131428
	008360	008362
	781889	
	AU03280	
For Spring Return type Type 6014 pilot solenoid valve with G1/4" service port and G1/4" air ports. Normally closed 3/2 Way circuit function. PA/Brass/Aluminium body with FKM seal. Type 2508 DIN Plug, with LED.	424103	424107
	008360	008362
	781889	
	AU03280	

Type 2655 pneumatically actuated ball valve accessories. Top mounted switchbox, for visual position indication, Type 8791 positioner and 8783 process controller.

Item description	ID No
 <p>Top mounted switch box, Size 1. For visual position indication. Aluminium die cast, polycarb.</p>	AU50858
<p>Top mounted switch box, Size 2. For visual position indication. Aluminium die cast, polycarb.</p>	AU50606
<p>Top mounted switch box, Size 3. For visual position indication. Aluminium die cast, polycarb.</p> <p>*NB All units on ordering chart indicate which size switch box suits</p>	AU50607
 <p>Type 8793 electropneumatic positioner with integral PID controller. IP65/67. For Spring Return & Double Acting actuator type. Operating voltage 24V DC.</p> <p>Type 8791 Basic electropneumatic positioner. IP65/67 & panel mount version. For Spring Return & Double Acting actuator type. Operating voltage 24V DC.</p>	Multiple feature, input, output options; see datasheets
 <p>Protective hood for quarter turn valves, stainless steel. Designed for protection from weather and sun to deliver long service life.</p>	AU33834