

3/2-Way Manual ball valve in stainless steel, automation ready



- Pin through stem for rugged long life
- L port and T port configurations
- Blow-out proof stem design
- ISO pad for direct actuator mount

Type 2654 can be combined with...



Rack & pinion

Rilsan coated pneumatic actuator



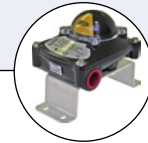
Type 3005

Heavy duty electric actuator for quarter turn



Type 3003

Electric actuator for quarter turn



Switchbox

Feedback, position indicator

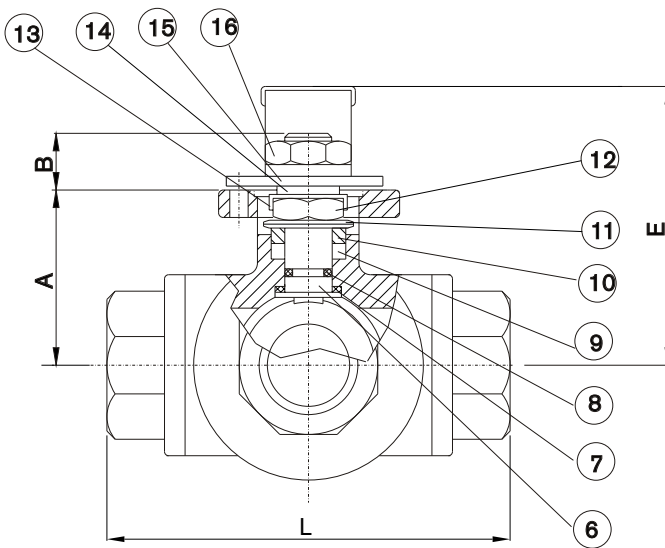
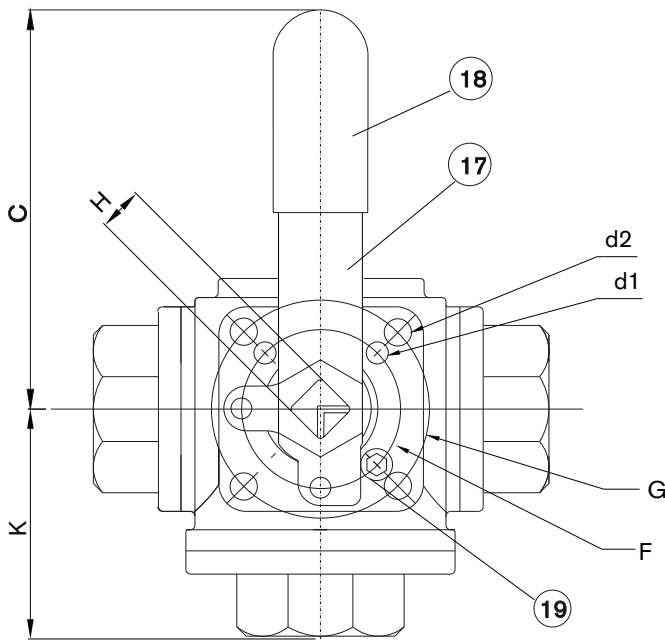
The Bürkert 3/2-way ball valves are designed for the most arduous applications in the process industry. The unique pin-through-stem construction holds the ball in place over many cycles for accurate and long life cycle.

Like all Bürkert valves, the 3/2-way Type 2654 is automation ready with a complete package of actuators, digital positioners and modular accessories available.

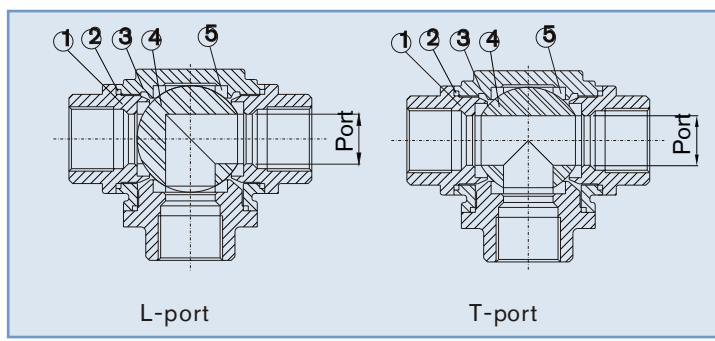
Technical data

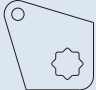
Body material	Stainless steel Options on request Hastalloy C, Super duplex, Alloy 20, Monel
Ball material	Stainless steel
Seal material	PTFE
O-ring	Viton
Media	Universal application; tough materials and construction
Media temperature Valves with PTFE seal	-30 to +180°C (see diagram Pg. 4 for other materials)
Port connections	Threaded BSP
Operating pressure	0..54 bar (see diagram Pg. 4)
Installation	Any direction

Dimensions [mm]



Item	Part Name	Materials
1	End Cap	CF8M
2	Gasket	PTFE
3	Body	CF8M
4	Ball	SS 316
5	Seat	PTFE
6	Stem	SS 316
7	Thrust Washer	RPTFE
8	O-Ring	VITON
9	Stem Packing	PTFE
10	Gland	SS 304
11	Disk Wahser	SS 301
12	Stem Nut	SS 304
13	Nut Stop	SS 304
14	Space Washer	SS 304
15	Stopper Plate	SS 304
16	Handle Nut	SS 304
17	Handle	SS 304
18	Sleeve	PLASTIC
19	Stop Pin	SS 304



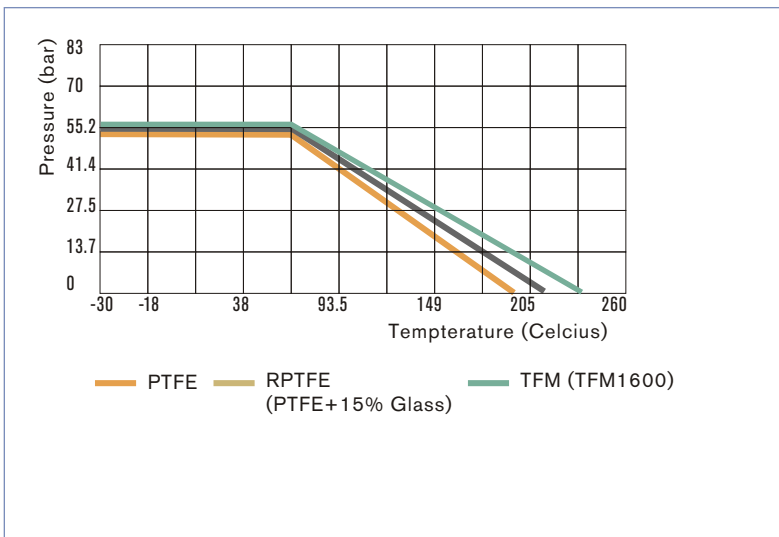

 Bürkert's 3/2-way ball valve is available for 180° operation. The design facilitates a variety of flow patterns from one model; for this option customer request or themselves change a 180° stop plate.

Break-Torque value [Nm/ at 0 bar]

Greases used including lubricant & anti-freeze grease both Silicone free

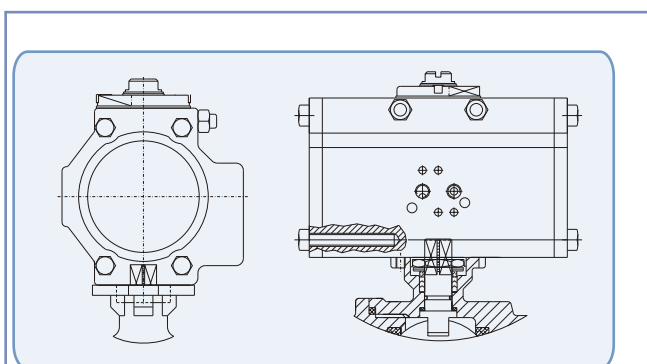
Size (Full)	1/4"	3/8"	1/2"	3/4"	1"	1 1/4"	1 1/2"	2"
Size (reduced)	-	1/4" ~ 1/2"	3/4"	1"	1 1/4"	1 1/2"	2"	-
Grease	9	9	11	13	24	43	53	60
Non-Grease	12	12	15	18	33	60	75	84

Pressure chart



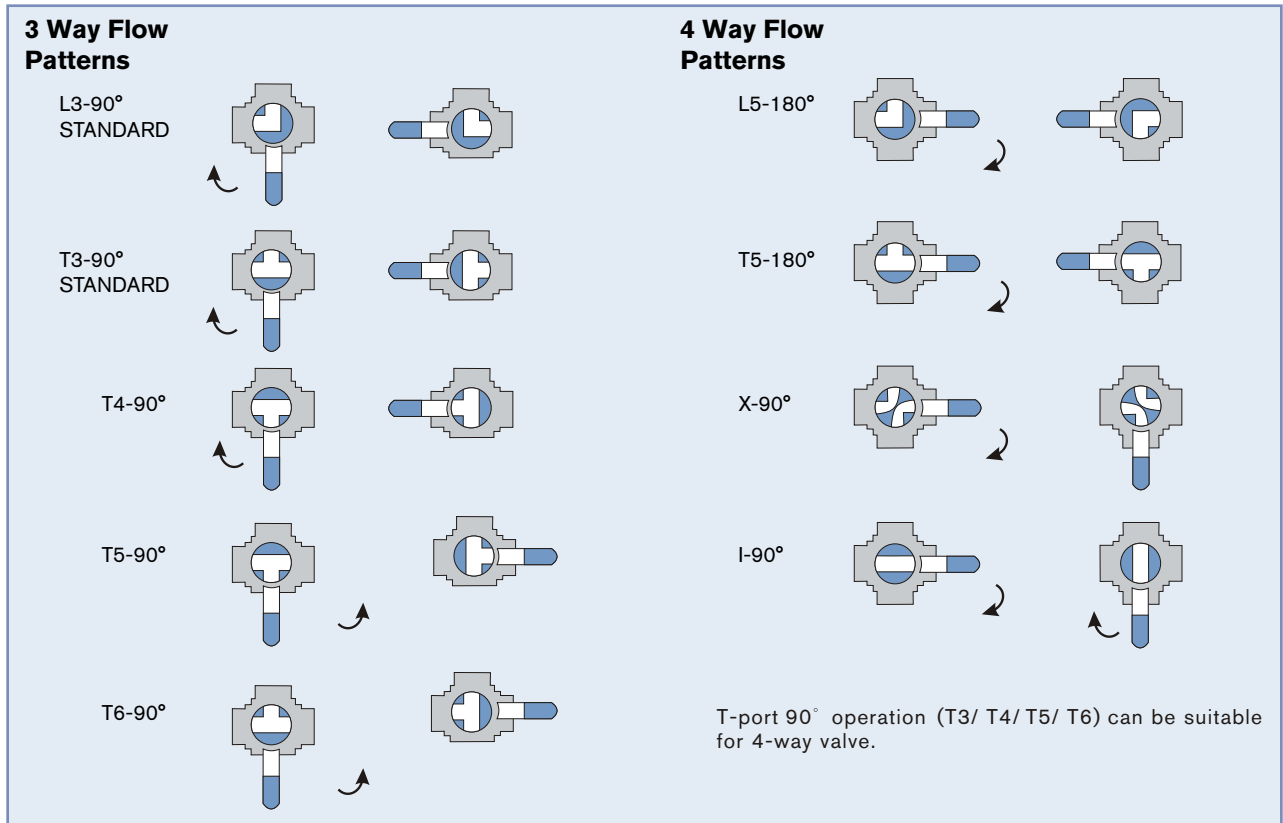
ISO mounting pad standard

Ask about our actuators for direct mount




ISO direct mount for actuator assembling directly;
For pneumatic and electric actuators

Flow diagram



Multiport valves available - ask Bürkert

Ordering chart

		Reduced bore orifice [mm]	Port connection Ø (solvent)	Pressure range PVC, PVDF (bar)	Handle material	Body material	Seal material	ID No.
L Ports	15	1/2"	54 bar	SS-304	SS-316	PTFE	AU51402	
	20	3/4"	54 bar	SS-304	SS-316	PTFE	AU51403	
	25	1"	54 bar	SS-304	SS-316	PTFE	AU51404	
	32	1 1/4"	54 bar	SS-304	SS-316	PTFE	AU49059	
	40	1 1/2"	54 bar	SS-304	SS-316	PTFE	AU51405	
	50	2"	54 bar	SS-304	SS-316	PTFE	AU51406	
T Ports	15	1/2"	54 bar	SS-304	SS-316	PTFE	AU51407	
	20	3/4"	54 bar	SS-304	SS-316	PTFE	AU51408	
	25	1"	54 bar	SS-304	SS-316	PTFE	AU51409	
	32	1 1/4"	54 bar	SS-304	SS-316	PTFE	AU46718	
	40	1 1/2"	54 bar	SS-304	SS-316	PTFE	AU51410	
	50	2"	54 bar	SS-304	SS-316	PTFE	AU51411	

In case of special application conditions, please consult for advice.

We reserve the right to make technical changes without notice.
© Christian Bürkert GmbH & Co. KG

201004_AU-en_2654_3Way