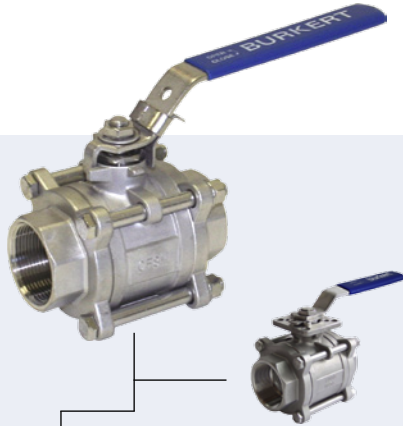


Manual ball valves in stainless steel, industrial quality



Type 2654 ISO mount can be combined with...



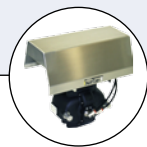
Rack & pinion
Rilsan coated pneumatic actuator



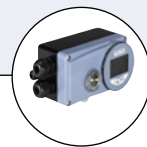
Type 3005
Electric actuator for quarter turn



Type 2050
Vertical pneumatic actuator



Vane actuator & protective hood
For field deployment



Type 8792 Digital Positioner
IP65/67 positioner

- Semi lugged body
- Three piece body construction
- Blow-out proof stem design
- ISO pad version for direct actuator mount
- Fire Safe API607-5th Edition optional

Burkert's stainless steel ball valve is designed for the most arduous applications in the process industry. This datasheet is for the valve with threaded or weld ports (see separate datasheet for flanged version). It includes a three piece construction, specifically equipped with a dual sealing system to get superior tightness in the stem during temperature and pressure variations. Features include:

- Maintenance, changes of seals and seat can be made without removal of valve from piping.

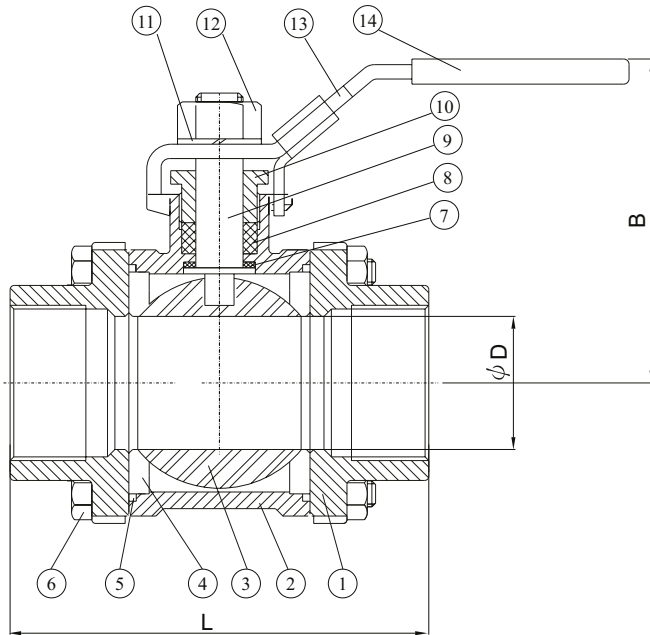
- The heavy duty valve includes a lockable, insulated handle for manual operation

- Fire Safe API607-5th Edition Certified versions available

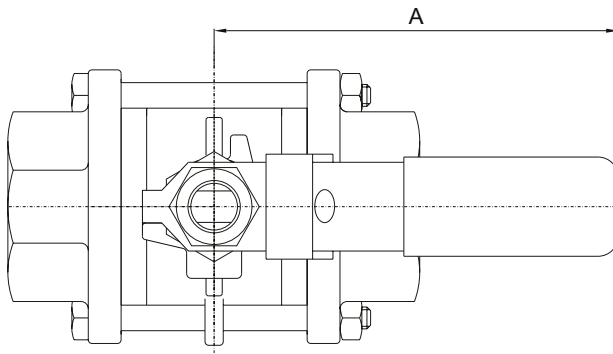
- Valve with ISO 5211 mounting pad (for automation available) available; with a complete package of actuators, digital positioners and modular accessories

Technical data	
Orifice	
Manual with handle	11 mm .. 50mm
With ISO mounting pad	11 mm .. 100mm
Port size	
Manual with handle	1/4" .. 2"
With ISO mounting pad	1/4" .. 4"
Body material	Stainless steel (CF8M) Options on request Hastalloy C, Super duplex, Alloy 20, Monel
Ball material	Stainless steel
Seat material	PTFE standard RPTFE (PTFE + 15% glass) & TFM option
Media	Universal application; tough materials and construction
Media temperature	
Valves with PTFE seal	-30 to +200°C (see pressure/temp graphs)
Port connections	Threaded BSP (socket weld, butt weld & others on request) See separate datasheet for flanged version
Actuation	Lockable handle for manual control (ISO pad top mount on request)
Operating pressure	0-70 bar (see pressure/temp graphs)
Installation	Any direction

Dimensions [mm] & Materials, Manual without ISO pad

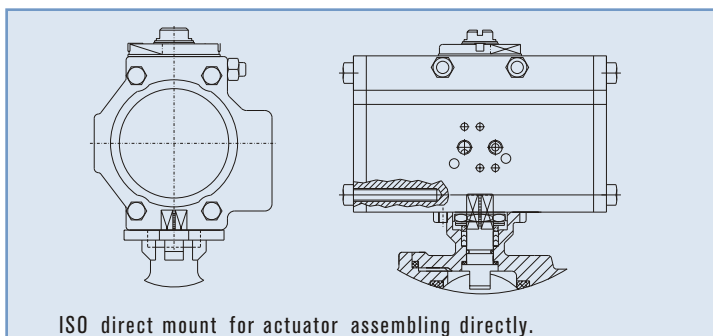
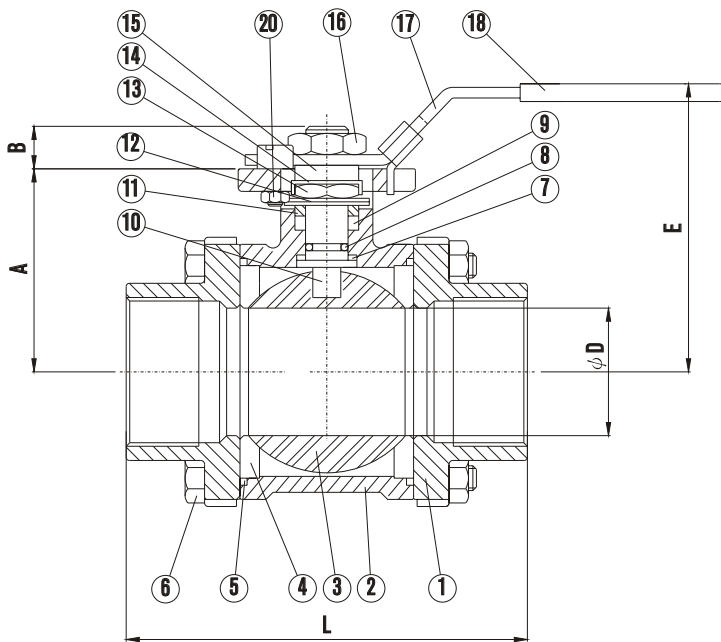
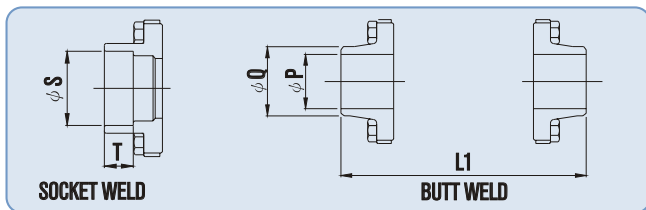
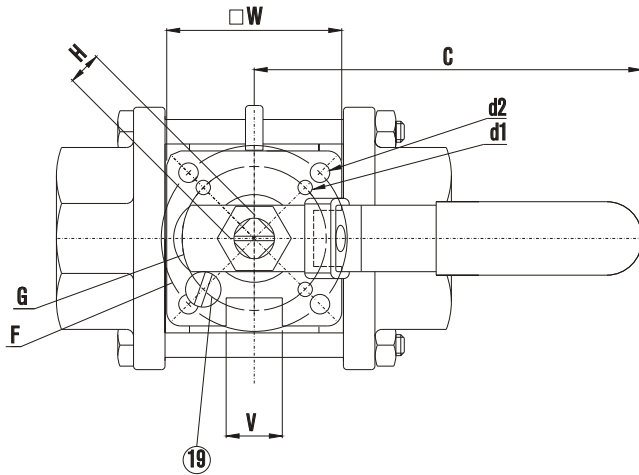


Item	Part Name	Materials
1	End Cap	Stainless steel 316 Cast [CF8M/ WCB]
2	Body	Stainless steel 316 Cast [CF8M/ WCB]
3	Ball	SS 316
4	Seat	PTFE
5	Gasket	PTFE
6	Bolts	SS 304
7	Thrust Washer	RPTFE
8	Stem Packing	PTFE
9	Stem	SS 316
10	Gland	SS 304
11	Spring Washer	SS 304
12	Stem Nut	SS 304
13	Handle	SS 304
14	Sleeve	Plastic



Size	A	B	D	L	S	T	P	Q	L1	W [Kg]
1/4"	122	47	11	56.4	14.2	11.1	11	12.5	60.5	0.36
3/8"	122	47	12.5	56.4	17.5	11.1	12	14.5	60.5	0.36
1/2"	122	49	15	63.5	21.8	12.7	15	17.5	63.5	0.48
3/4"	142	55	20	75.5	27.1	14.3	20	22.5	75.5	0.84
1"	164	71	25	86	33.8	15.9	25	28	86	1.1
1 1/4"	164	76	32	96	42.5	17.5	32	35	104	1.78
1 1/2"	212	83	38	111	48.7	19.1	38	41	117	2.54
2"	212	94	50	129	61.1	22.2	50	54	138	4.12

Dimensions [mm] & Materials, Manual with ISO pad

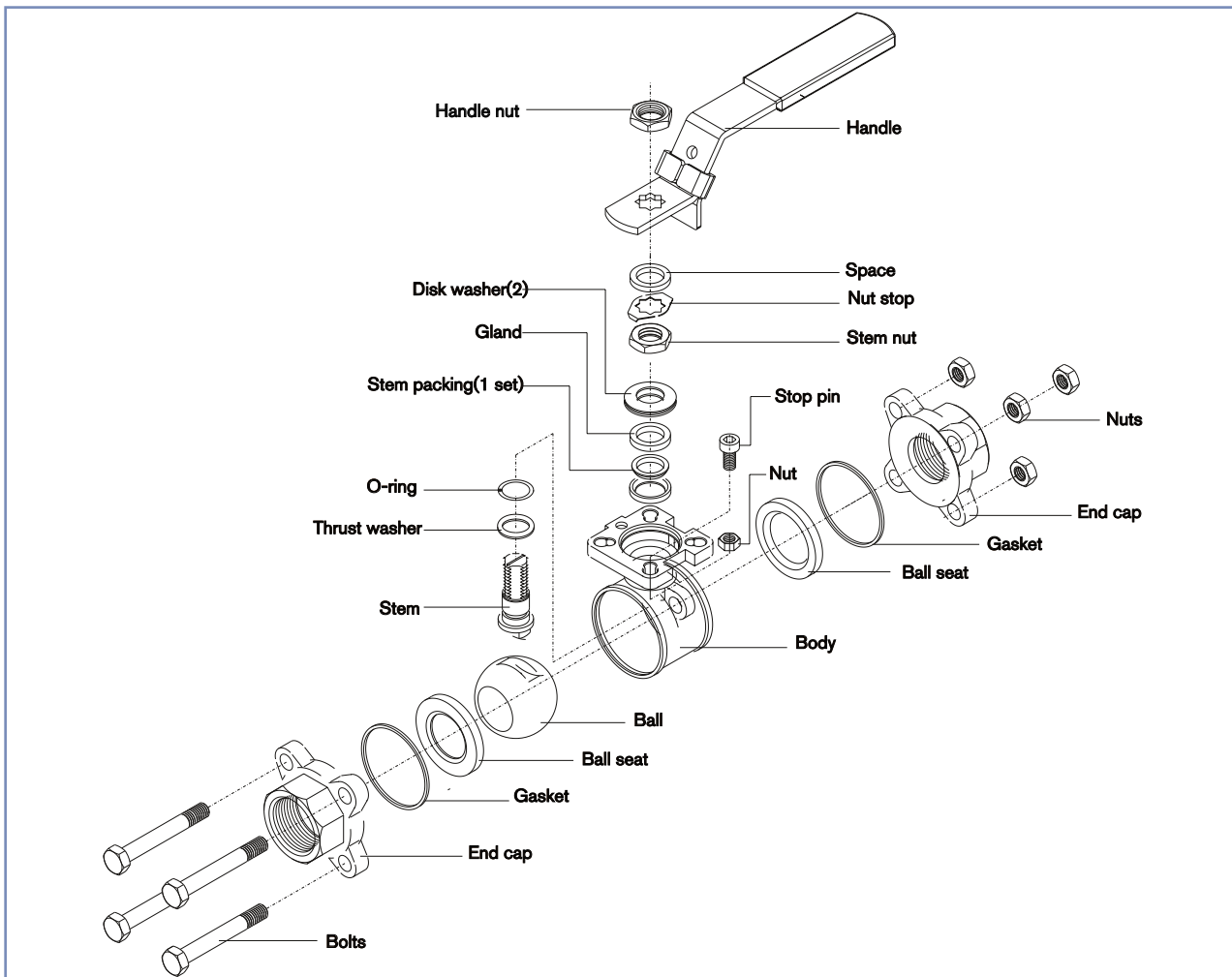


Item	Part Name	Materials
1	End Cap	CF8M
2	Body	CF8M
3	Ball	SS 316
4	Seat	PTFE
5	Gasket	PTFE
6	Bolts	SS 304
7	Thrust Washer	RPTFE
8	O-Ring	VITON
9	Stem Packing	PTFE
10	Stem	SS 316
11	Gland	SS 304
12	Disk Washer	SS 301
13	Stem Nut	SS 304
14	Nut Stop	SS 304
15	Space Washer	SS 304
16	Handle Nut	SS 304
17	Handle	SS 304
18	Handle Cover	PLASTIC
19	Stop Pin	SS 304
20	Nut	SS 304

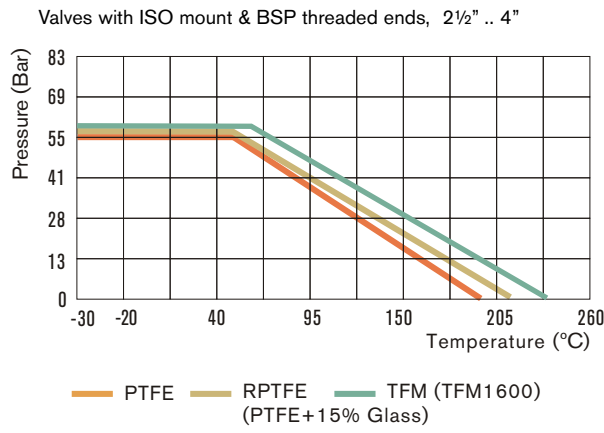
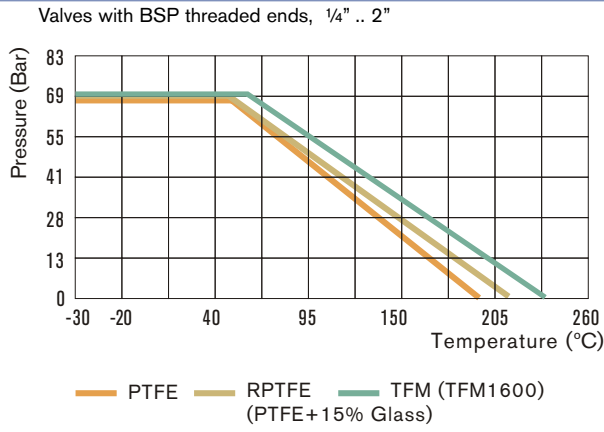
Dimensions [mm] & Materials, Manual with ISO pad

Size	A	B	C	D	d1	d2	E	F	G	H	L	S	T	P	Q	L1	V	W
1/4"	37	11	130	11	6	6	58	36	42	9	60.5	14.2	11.1	10	17	60.5	19	44
3/8"	37	11	130	12.5	6	6	58	36	42	9	60.5	17.5	11.1	12	19	60.5	19	44
1/2"	37	11	130	15	6	6	58	36	42	9	63.5	21.8	12.7	15	21.5	63.5	19	44
3/4"	40	11	130	20	6	6	64	36	45	9	75.5	27.1	14.3	20	27.5	75.5	19	44
1"	48	14	155	25	6	7	77	42	50	11	86	33.8	15.9	25	34.5	86	24	52
1 1/4"	53.5	14	155	32	6	7	83	42	50	11	96	42.5	17.5	32	42.8	104	24	52
1 1/2"	63.5	18	205	38	7	9	92	50	70	14	111	48.7	19.1	38	49	117	28	53
2"	72	18	205	50	7	9	100	50	70	14	129	61.1	22.2	50	61	138	28	53
2 1/2"	92	22	290	65	9	11.3	140	70	102	17	152.5	73.9	22.2	65	77	170	-	-
3"	102	22	290	80	9	11.3	150	70	102	17	168.5	89.9	25.4	80	91	192	-	-
4"	132	26	335	100	11.3	13.5	195	102	125	22	212.5	115.2	32	100	118	226	-	-

Exploded view, Manual with ISO pad



Pressure charts



Break-Torque value [Nm/ at 0 bar]

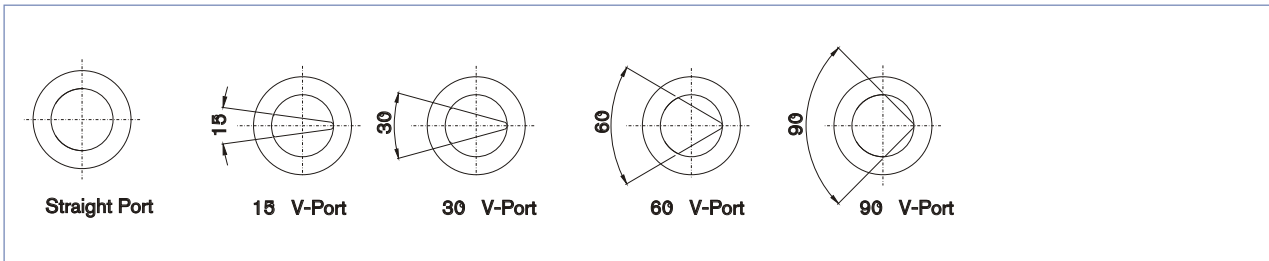
Break-torque for ball valve with BSP threaded ends

Size	1/4"	3/8"	1/2"	3/4"	1"	1 1/4"	1 1/2"	2"	2 1/2"	3"	4"
grease	3.5	3.5	5	5.5	7	11	17	23	35	46	72
Non-Grease	5	5	6	7	9.5	16	27	30	68	85	105

Greases used including lubricant & anti-seize grease both Silicone free

V-Notch ball option

Typically for modulating ball valves; 30 & 60 deg standard



Fire Safe certified option


API607-5th Edition Certified




- TFM1600/ TFM4215/ PEEK/ UPE soft kits
- Automation application
- PTFE/ PFA coating (40-70 um)
- Hastalloy C/ Super duplex/ Alloy 20/ Monel
- Anti-static devices
- V-ball for control valve in 15 , 30 , 60 , 90 slot
- Flange with Table D, Table E drilling

Contact Bürkert for a quote.


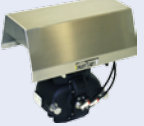
Ordering chart

		Orifice Diameter [mm]	Port connection	Pressure range (bar)	Handle material	Body material	Seal material	ID No.
2/2 Way, [BSP ports, no ISO pad]		8	1/4"	70 bar	SS-304	SS-316	PTFE	AU44137
		15	1/2"	70 bar	SS-304	SS-316	PTFE	AU44138
		20	3/4"	70 bar	SS-304	SS-316	PTFE	AU44139
		25	1"	70 bar	SS-304	SS-316	PTFE	AU44140
		32	1 1/4"	70 bar	SS-304	SS-316	PTFE	AU44141
		40	1 1/2"	70 bar	SS-304	SS-316	PTFE	AU44142
		50	2"	70 bar	SS-304	SS-316	PTFE	AU44143

		Orifice Diameter [mm]	Port connection	Pressure range (bar)	Handle material	Body material	Seal material	ID No.
2/2 Way, [BSP ports, with ISO pad]		8	1/4"	69 bar	SS-304	SS-316	PTFE	AU51566
		10	3/8"	69 bar	SS-304	SS-316	PTFE	AU51567
		15	1/2"	69 bar	SS-304	SS-316	PTFE	AU51568
		20	3/4"	69 bar	SS-304	SS-316	PTFE	AU51569
		25	1"	69 bar	SS-304	SS-316	PTFE	AU51570
		32	1 1/4"	69 bar	SS-304	SS-316	PTFE	AU51571
		40	1 1/2"	69 bar	SS-304	SS-316	PTFE	AU51572
		50	2"	69 bar	SS-304	SS-316	PTFE	AU51573
		65	2 1/2"	55 bar	SS-304	SS-316	PTFE	AU51574
		80	3"	55 bar	SS-304	SS-316	PTFE	AU51575
		100	4"	55 bar	SS-304	SS-316	PTFE	AU51576

Ordering chart for accessories for Type 2654

This accessories list is for the ISO pad version only. The version without ISO pad is a manual valve and not primarily intended for actuation.

Item description	ID No
 <p>Industrial strength electric actuator for quarter turn valves, Type 3005 (Type 3004 is available for explosive areas). Manual override handwheel for higher torque ratings (geared manual override for low torques). Available in on/off and modulating (4..20mA etc). Prominent visual positioner indicator.</p> <p>For quarter turn valves.</p>	<p>Various sizes, contact Bürkert for ordering information</p>
 <p>Pneumatic actuator for quarter turn valves, rack & pinion type. This actuator from Bürkert has a rilsan/cataphoresis coating inside and out which makes it exceptionally hard wearing.</p> <p>NB: All units below are to build on top of this or another Bürkert pneumatic actuator.</p>	<p>Various sizes, contact Bürkert for ordering information</p>
 <p>Top mounted switch box, Size 1. For visual position indication. Aluminium die cast, polycarb.</p>	<p>AU50858</p>
<p>Top mounted switch box, Size 2. For visual position indication. Aluminium die cast, polycarb.</p>	<p>AU50606</p>
<p>Top mounted switch box, Size 3. For visual position indication. Aluminium die cast, polycarb.</p> <p>*NB All units on ordering chart indicate which size switch box suits with 'Optional Accessory Size'</p>	<p>AU50607</p>
 <p>Type 8793 electropneumatic positioner with integral PID controller. For Spring Return & Double Acting actuator type. Operating voltage 24V DC.</p>	<p>AU33833</p>
<p>Type 8791 Basic electropneumatic positioner. For Spring Return & Double Acting actuator type. Operating voltage 24V DC.</p>	<p>On Request</p>
 <p>Protective hood for quarter turn valves, stainless steel. Designed for protection from weather and sun to deliver long service life.</p>	<p>AU33834</p>

Examples of ISO pad equipped stainless steel ball valves with actuators and accessories



Type 2655 valve, comprising SS ball valve with rilsan coated pneumatic actuator

Type 2655 valve, with Type 8792 positioner

Type 2656 electrically actuated ball valve, combining valve with Type 3003 modulating control actuator

Type 2655 valve, with Type 8792 digital positioner, remote version

In case of special application conditions, please consult for advice.

We reserve the right to make technical changes without notice.
© Christian Bürkert GmbH & Co. KG

201009_AU_2654_2way_Thrd