



Top mounted switch box for quarter turn valves

- Solid and compact design, IP67
- Prominent visual position indication
- Electrical feedback (via terminal strips)
- Quick-set cam (set without tool)
- Namur standard mounting bracket

The switchbox can be combined with...



Rilsan pneumatic quarter turn actuator



Polyamide pneumatic quarter turn actuator



Rotary vane pneumatic actuator

Bürkert's switch boxes are designed for fast and prominent visual position pick-up as well as effective and reliable position feedback.

These switch boxes are designed for use with all Bürkert pneumatic quarter turn (rotary) actuators. A single unit is used with all pneumatic actuator sizes, differing in the mounting bracket only.

The units feature a small and compact design for installation in narrow spaces, and are extremely simple to affix and operate. They are robust for suitability in most application environments.

Technical data

Materials

Housing & body	Aluminium die-casting housing
External coating	Polyester powder coating (black)
Shaft	Stainless steel
Indicator cover	Polycarbonate

Shaft

Standard shaft (17mm)

Conduit entries

2 x M20

Terminal strips

8 points (0.08-2.5mm²)

Voltage

X < 250V

Ambient temperature

-20°C to +80°C

Position indicator

0° to 90°	0° to 90°
Closed	Red
Open	Yellow

Switches

Mechanical switch x2

Mounting bracket

Namur standard

Protection

Weatherproof IP67/NEMA4 & 4X

Installation

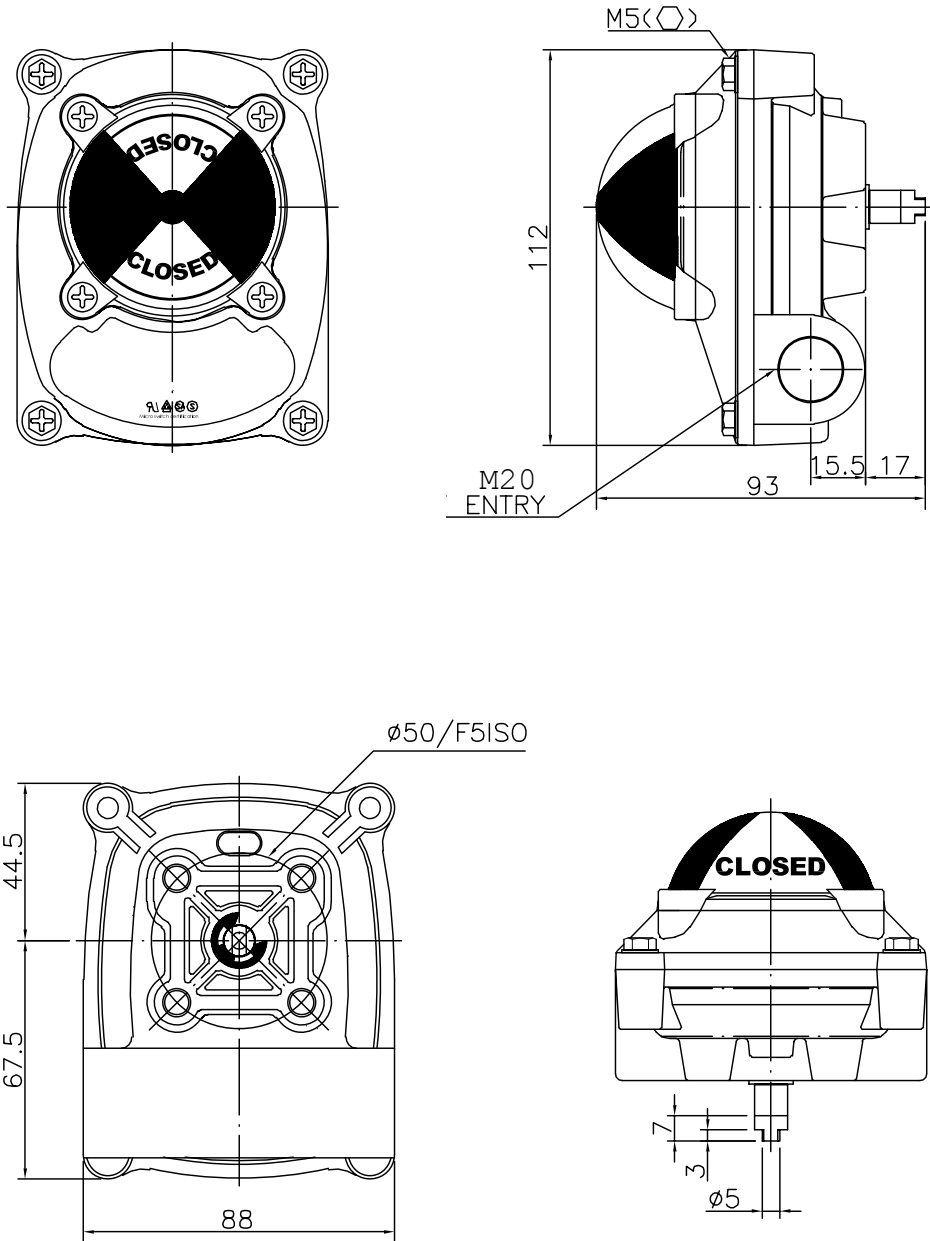
As required for visibility

Applications

- Pneumatic quarter turn valves
- Visible valves for position status
- Water treatment applications
- Food & beverage systems

Dimensions, switch box [mm]

The switchbox unit is standard across all sized actuators



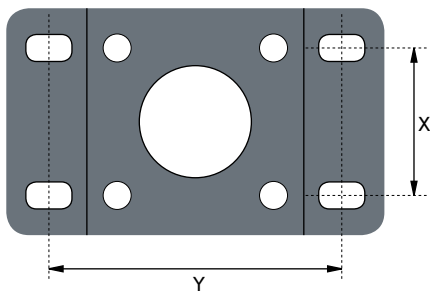
Dimensions, Namur mounting bracket

Namur mounting bracket with standard switchbox connection and different sized actuator mounting plates



Mounting bracket style

Top view




Side view



Complete switchbox		X [mm]	Y [mm]	H [mm]
Size [per SPL]	ID No			
1	AU50858	30	80	30
2	AU50606	30	80	40
3	AU50607	50	130	50

Ordering chart (other versions on request)

	Bürkert Size [SPL]	Bracket hole pattern	Temperature	Protection	Body Material	For actuator size	Item no.
	1	30x80 [H: 30]	-20°C to +80°C	IP67	Aluminium die cast // Polycarb	PW	AU50858
	2	30x80 [H: 40]	-20°C to +80°C	IP67	Aluminium die cast // Polycarb	P0 .. P30	AU50606
	3	30x130 [H: 50]	-20°C to +80°C	IP67	Aluminium die cast // Polycarb	P40 .. P70	AU50607