

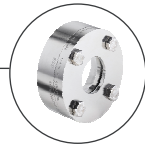
Full view or partial view with weld end connections for all hygienic processes

- Fully traceable materials
- Hygienic design minimizes bacterial traps
- Suitable for CIP and SIP
- Stress, crack and shatter resistant

Hygienic Processing Components.....



Type BBS-05
Quick Connect



Type BBS-07
Block Flanges



Type BBS-10
Ball Check Valves



Type 2103
Diaphragm Valve



Type 8221
Conductivity



Type 8650
Process Automation

These sterile flow indicators can be installed in any position to observe liquid flow in any direction. The flow indicator is usually employed to detect either the presence or absence of solutions, or to observe fluids for turbulence, color or clarity. They are ideal for high purity applications.

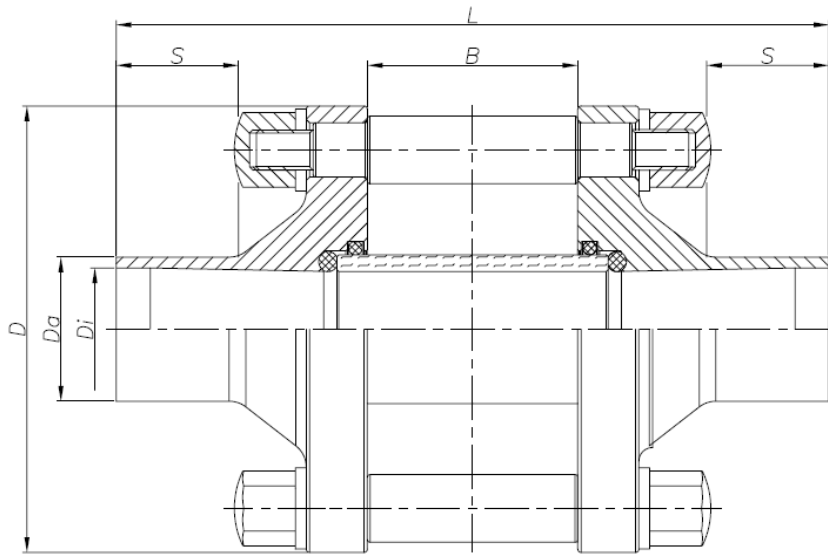
Typical applications in:

- Biotechnology
- Pharmaceutical
- Chemical
- Dairy and Food
- Beverage
- Cosmetic

The popular full view version allows full 360° process vision; this means you can observe fluid flow from any position.

Technical Overview	
Available Sizes/Standards	ISO DN08 to DN125 SMS DN06...DN100 BSOD DN1/4" to DN4" DIN06 to DN100 Larger sizes available on request
Body Material	Stainless Steel 316L 1.4435 BN2 Special Materials Example: Hastelloy
Glass	Borosilicate Glass
Sealing Material	EPDM, PTFE
Internal Surface Finish External Surface Finish	Ra ≤ 0.8 µm Standard Electropolished Standard
Process Temperature Ambient Temperature	-60 to + 300 °C -20 to +80 °C
Media	Gases or Liquids.
Media Pressure	-1 to + 8 Bar (subject to temperature)
Certification Available	Material 3.1, FDA, USP VI

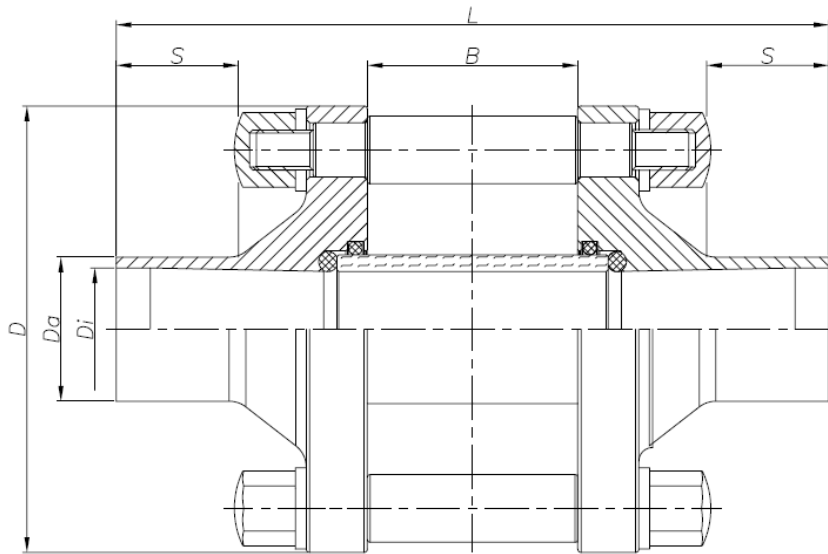
TIS BBS-3F Weld End V00.2010 EN



ISO Sterile Inline Full View Flow Indicator / Weld End Connections

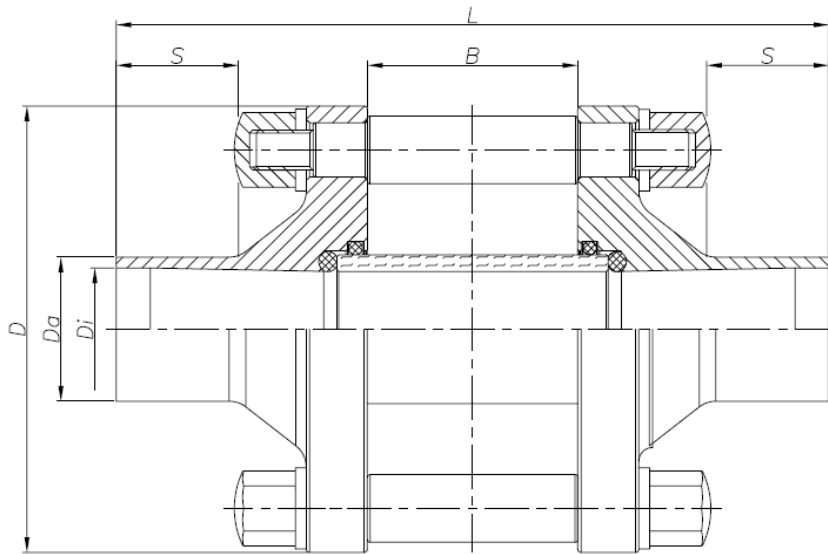
Size	D mm	Da mm	Di mm	L mm	S mm	B mm	BBS Item Key (Part No: EPDM)	BBS Item Key (Part No: FEP)
DN08	59.00	13.50	10.30	91.50	18.00	19.50	BBS-3F-HA.N08.Z00.35.0 (740880)	BBS-3F-HA.N08.Z00.35.3 (740883)
DN10	59.00	17.20	14.00	98.00	18.00	26.40	BBS-3F-HA.N10.Z00.35.0 (740886)	BBS-3F-HA.N10.Z00.35.3 (740889)
DN15	65.00	21.30	18.10	105.00	18.00	31.00	BBS-3F-HA.N15.Z00.35.0 (740904)	BBS-3F-HA.N15.Z00.35.3 (740907)
DN20	73.00	26.90	23.70	111.00	18.00	32.00	BBS-3F-HA.N20.Z00.35.0 (740910)	BBS-3F-HA.N20.Z00.35.3 (740913)
DN25	73.00	33.70	29.70	111.00	18.00	32.00	BBS-3F-HA.N25.Z00.35.0 (740920)	BBS-3F-HA.N25.Z00.35.3 (740923)
DN32	90.00	42.40	38.40	125.00	18.00	20.60	BBS-3F-HA.N32.Z00.35.0 (740926)	BBS-3F-HA.N32.Z00.35.3 (740929)
DN40	100.00	48.30	44.30	156.00	25.00	67.00	BBS-3F-HA.N40.Z00.35.0 (740935)	BBS-3F-HA.N40.Z00.35.3 (740938)
DN50	110.00	60.30	56.30	171.00	18.00	80.00	BBS-3F-HA.N50.Z00.35.0 (740944)	BBS-3F-HA.N50.Z00.35.3 (740947)
DN65	135.00	76.10	71.50	193.00	25.00	97.00	BBS-3F-HA.N65.Z00.35.0 (740950)	BBS-3F-HA.N65.Z00.35.3 (740953)
DN80	145.00	88.90	84.30	187.00	20.00	97.00	BBS-3F-HA.N80.Z00.35.0 (740959)	BBS-3F-HA.N80.Z00.35.3 (740962)
DN100	170.00	114.30	109.10	On Request			BBS-3F-HA.N100.Z00.35.0 (740892)	BBS-3F-HA.N100.Z00.35.3 (740895)
DN125	196.00	139.70	134.50	On Request			BBS-3F-HA.N125.Z00.35.0 (740898)	BBS-3F-HA.N125.Z00.35.3 (740901)

TIS BBS-3F Weld End V00.2010 EN



TIS BBS-3F Weld End V00.2010 EN

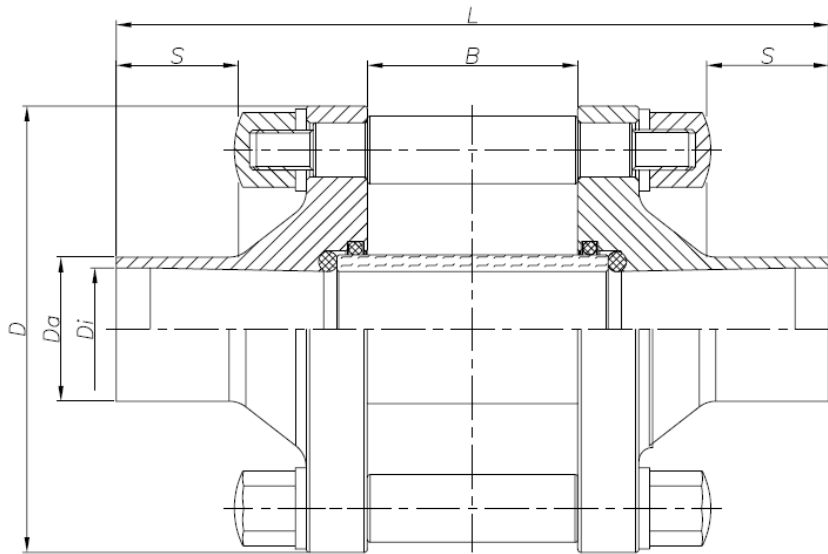
SMS Sterile Inline Full View Flow Indicator / Weld End Connections								
Size	D mm	Da mm	Di mm	L mm	S mm	B mm	BBS Item Key (Part No: EPDM)	BBS Item Key (Part No: FEP)
DN 06	59.00	8.00	6.00	On Request			BBS-3F-HA.J06.β00.35.0 (On Request)	BBS-3F-HA.J06.β00.35.3 (On Request)
DN 08	59.00	10.00	8.00	On Request			BBS-3F-HA.J08.β00.35.0 (On Request)	BBS-3F-HA.J08.β00.35.3 (On request)
DN 10	65.00	12.00	10.00	On Request			BBS-3F-HA.J10.β00.35.0 (On Request)	BBS-3F-HA.J10.β00.35.3 (On Request)
DN 15	65.00	18.00	16.00	On Request			BBS-3F-HA.J15.β00.35.0 (741246)	BBS-3F-HA.J15.β00.35.3 (On Request)
DN 20	70.00	23.00	20.00	On Request			BBS-3F-HA.J20.β00.35.0 (On Request)	BBS-3F-HA.J20.β00.35.3 (On Request)
DN 25	70.00	25.00	22.60	On Request			BBS-3F-HA.J25.β00.35.0 (On Request)	BBS-3F-HA.J25.β00.35.3 (On Request)
DN 32	80.00	32.00	29.60	On Request			BBS-3F-HA.J32.β00.35.0 (On Request)	BBS-3F-HA.J32.β00.35.3 (On Request)
DN40	82.00	38.00	35.60	On Request			BBS-3F-HA.J40.β00.35.0 (On Request)	BBS-3F-HA.J40.β00.35.3 (On Request)
DN 50	100.00	51.00	48.60	On Request			BBS-3F-HA.J50.β00.35.0 (On Request)	BBS-3F-HA.J50.β00.35.3 (On Request)
DN65	125.00	63.50	60.30	On Request			BBS-3F-HA.J65.β00.35.0 (On Request)	BBS-3F-HA.J65.β00.35.3 (On Request)
DN80	125.00	76.10	72.90	On Request			BBS-3F-HA.J80.β00.35.0 (On Request)	BBS-3F-HA.J80.β00.35.3 (On Request)
DN100	157.00	101.60	97.60	On Request			BBS-3F-HA.J100.β00.35.0 (On Request)	BBS-3F-HA.J100.β00.35.3 (On Request)



BS-OD Sterile Inline Full View Flow Indicator / Weld End Connections

Size	D mm	Da mm	Di mm	L mm	S mm	B mm	BBS Item Key (Part No: EPDM)	BBS Item Key (Part No: FEP)
DN 1/4"	50.00	6.35	4.55	126.90	38.10	19.50	BBS-3F-HA.M02.BPE.35.0 (On Request)	BBS-3F-HA.M02. BPE.35.3 (On Request)
DN 3/8"	50.00	9.53	7.75	128.80	38.10	19.50	BBS-3F-HA.M03. BPE.35.0 (On Request)	BBS-3F-HA.M03. BPE.35.3 (On Request)
DN 1/2"	59.00	12.70	9.40	132.90	38.10	19.50	BBS-3F-HA.M05. BPE.35.0 (740831)	BBS-3F-HA.M05. BPE.35.3 (740834)
DN 3/4"	65.00	19.05	15.75	146.40	38.10	33.00	BBS-3F-HA.M07. BPE.35.0 (740837)	BBS-3F-HA.M07. BPE.35.3 (740839)
DN 1"	73.00	25.40	22.10	148.60	38.10	36.00	BBS-3F-HA.M10. BPE.35.0 (740843)	BBS-3F-HA.M10. BPE.35.3 (740845)
DN 1.1/2"	82.00	38.10	34.80	152.20	38.10	37.00	BBS-3F-HA.M15. BPE.35.0 (740848)	BBS-3F-HA.M15. BPE.35.3 (740851)
DN 2"	100.00	50.80	47.50	190.00	38.10	54.00	BBS-3F-HA.M20. BPE.35.0 (740854)	BBS-3F-HA.M20. BPE.35.3 (740857)
DN2.1/2"	124.00	63.50	60.20	222.50	38.10	67.00	BBS-3F-HA.M25. BPE.35.0 (740860)	BBS-3F-HA.M25. BPE.35.3 (740863)
DN3"	135.00	76.20	72.90	240.80	38.10	97.00	BBS-3F-HA.M30. BPE.35.0 (740866)	BBS-3F-HA.M30. BPE.35.3 (740869)
DN4"	159.00	101.60	97.38	262.70	38.10	119.00	BBS-3F-HA.M40. BPE.35.0 (740872)	BBS-3F-HA.M40. BPE.35.3 (740877)

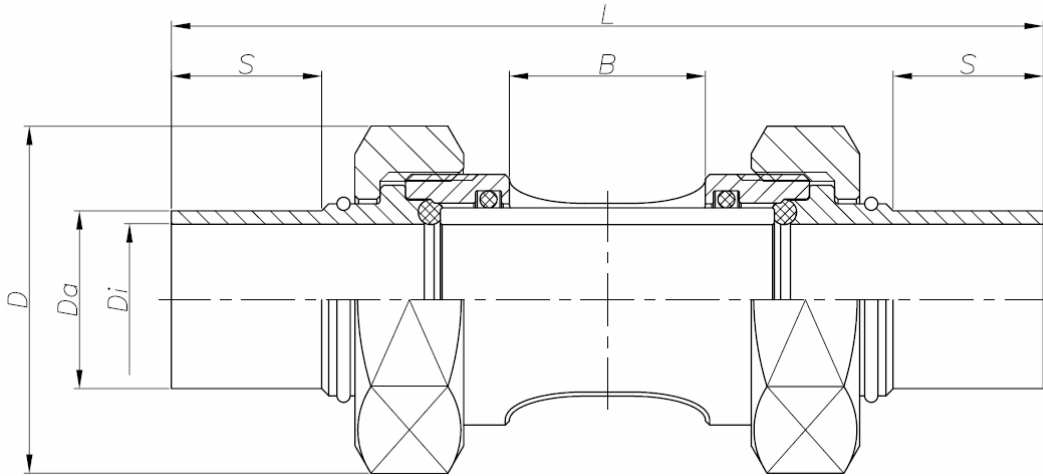
TIS BBS-3F Weld End V00.2010 EN



DIN Sterile Inline Full View Flow Indicator / Weld End Connections

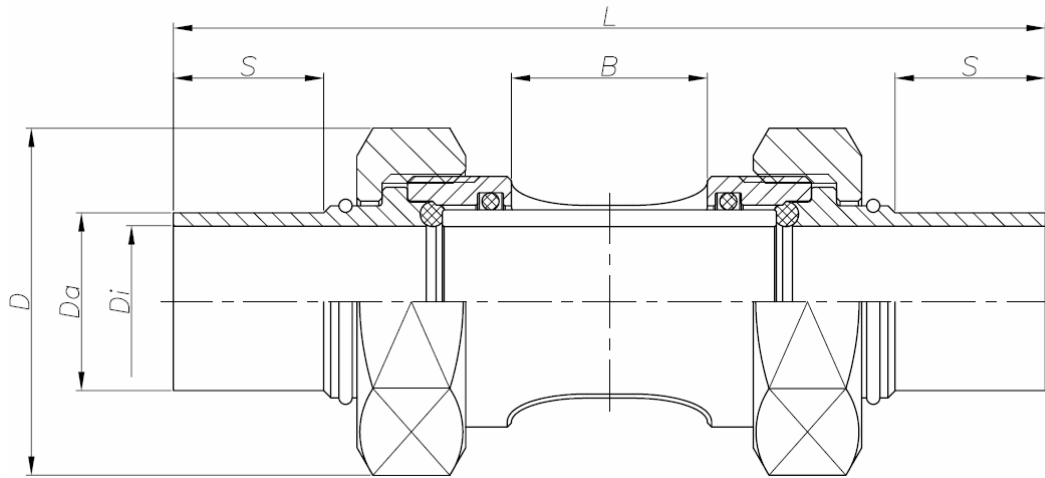
Size	D mm	Da mm	Di mm	L mm	S mm	B mm	BBS Item Key (Part No: EPDM)	BBS Item Key (Part No: FEP)
DN 06	60.00	8.00	6.00	On Request			BBS-3F-HA.D06.F00.35.0 (On Request)	BBS-3F-HA.D06.F00.35.3 (On Request)
DN 08	60.00	10.00	8.00	On Request			BBS-3F-HA.D08.F00.35.0 (On Request)	BBS-3F-HA.D08.F00.35.3 (On Request)
DN 10	65.00	12.00	10.00	91.50	18.00	19.50	BBS-3F-HA.D10.F00.35.0 (On Request)	BBS-3F-HA.D10.F00.35.3 (On Request)
DN 15	65.00	19.00	16.00	98.00	18.00	26.40	BBS-3F-HA.D15.F00.35.0 (On Request)	BBS-3F-HA.D15.F00.35.3 (On Request)
DN 20	70.00	23.00	20.00	105.00	18.00	31.00	BBS-3F-HA.D20.F00.35.0 (On Request)	BBS-3F-HA.D20.F00.35.3 (On Request)
DN 25	80.00	29.00	26.00	111.00	18.00	32.00	BBS-3F-HA.D25.F00.35.0 (On Request)	BBS-3F-HA.D25.F00.35.3 (On Request)
DN 32	82.00	35.00	32.00	111.00	18.00	32.00	BBS-3F-HA.D32.F00.35.0 (On Request)	BBS-3F-HA.D32.F00.35.3 (On Request)
DN40	90.00	41.00	38.00	125.00	18.00	20.60	BBS-3F-HA.D40.F00.35.0 (On Request)	BBS-3F-HA.D40.F00.35.3 (On Request)
DN 50	100.00	53.00	50.00	156.00	25.00	67.00	BBS-3F-HA.D50.F00.35.0 (On Request)	BBS-3F-HA.D50.F00.35.3 (On Request)
DN65	130.00	70.00	66.00	171.00	18.00	80.00	BBS-3F-HA.D65.F00.35.0 (On Request)	BBS-3F-HA.D65.F00.35.3 (On Request)
DN80	145.00	85.00	81.00	193.00	25.00	97.00	BBS-3F-HA.D80.F00.35.0 (On Request)	BBS-3F-HA.D80.F00.35.3 (On Request)
DN100	160.00	104.00	100.00	187.00	20.00	97.00	BBS-3F-HA.D100.F00.35.0 (On Request)	BBS-3F-HA.D100.F00.35.3 (On Request)

TIS BBS-3F Weld End V00.2010 EN



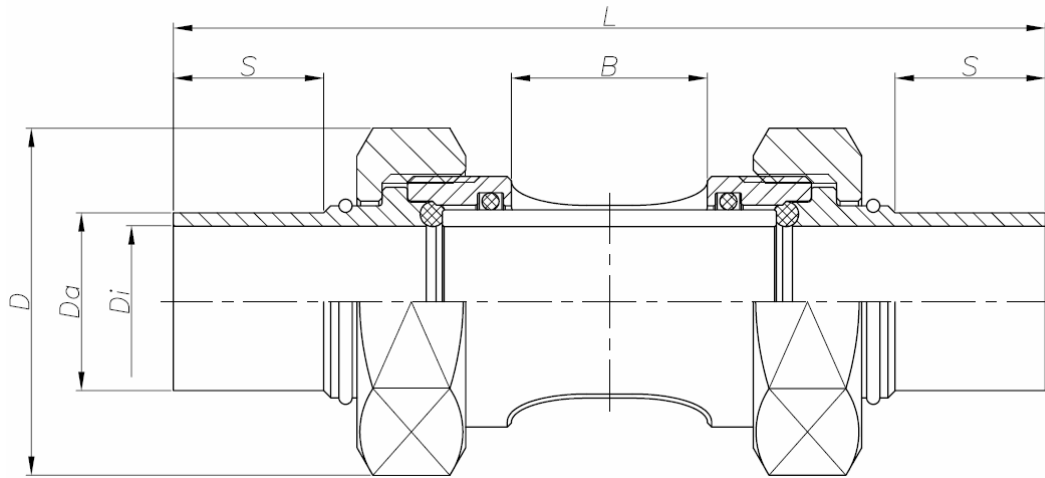
TIS BBS-3F Weld End V00.2010 EN

ISO Sterile Inline Partial View Flow Indicator / Weld End Connections								
Size	D mm	Da mm	Di mm	L mm	S mm	B mm	BBS Item Key (Part No: EPDM)	BBS Item Key (Part No: FEP)
DN08	31.20	13.50	10.30	92.50	18.00	18.00	BBS-3F-RD.N08.N00.35.0 (741249)	BBS-3F-RD.N08.N00.35.3 (741251)
DN10	36.50	17.20	14.00	98.50	18.00	21.00	BBS-3F-RD.N10.N00.35.0 (741257)	BBS-3F-RD.N10.N00.35.3 (741259)
DN15	41.60	21.30	18.10	104.40	18.00	23.50	BBS-3F-RD.N15.N00.35.0 (741266)	BBS-3F-RD.N15.N00.35.3 (741268)
DN20	48.00	26.90	23.70	104.50	18.00	24.00	BBS-3F-RD.N20.N00.35.0 (741275)	BBS-3F-RD.N20.N00.35.3 (741279)
DN25	52.00	33.70	29.70	106.00	18.00	18.00	BBS-3F-RD.N25.N00.35.0 (741285)	BBS-3F-RD.N25.N00.35.3 (741287)
DN32	62.00	42.40	38.40	114.00	18.00	30.00	BBS-3F-RD.N32.N00.35.0 (741294)	BBS-3F-RD.N32.N00.35.3 (741296)
DN40	76.00	48.30	44.30	143.40	18.00	25.00	BBS-3F-RD.N40.N00.35.0 (741302)	BBS-3F-RD.N40.N00.35.3 (741303)
DN50	88.00	60.30	56.30	165.40	18.00	79.40	BBS-3F-RD.N50.N00.35.0 (741309)	BBS-3F-RD.N50.N00.35.3 (741311)



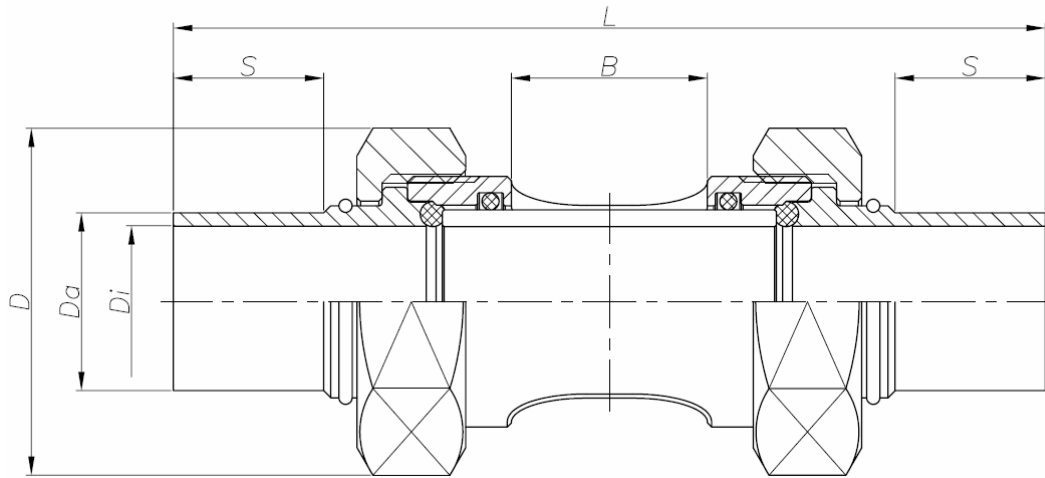
TIS BBS-3F Weld End V00.2010 EN

SMS Sterile Inline Partial View Flow Indicator / Weld End Connections								
Size	D mm	Da mm	Di mm	L mm	S mm	B mm	BBS Item Key (Part No: EPDM)	BBS Item Key (Part No: FEP)
DN 06	31.20	8.00	6.00	On Request			BBS-3F-RD.E06.E00.35.0 (On Request)	BBS-3F-RD.E06.E00.35.3 (On Request)
DN 08	36.50	10.00	8.00	On Request			BBS-3F-RD.E08.E00.35.0 (On Request)	BBS-3F-RD.E08.E00.35.3 (On request)
DN 10	41.60	12.00	10.00	On Request			BBS-3F-RD.E10.E00.35.0 (On Request)	BBS-3F-RD.E10.E00.35.3 (On Request)
DN 15	41.60	18.00	16.00	On Request			BBS-3F-RD.E15.E00.35.0 (741246)	BBS-3F-RD.E15.E00.35.3 (On request)
DN 20	48.00	23.00	20.00	On Request			BBS-3F-RD.E20.E00.35.0 (On Request)	BBS-3F-RD.E20.E00.35.3 (On Request)
DN 25	52.00	25.00	22.60	On Request			BBS-3F-RD.E25.D00.35.0 (On Request)	BBS-3F-RD.E25.E00.35.3 (On Request)
DN 32	62.00	32.00	29.60	On Request			BBS-3F-RD.E32.E00.35.0 (On Request)	BBS-3F-RD.E32.E00.35.3 (On Request)
DN40	76.00	38.00	35.60	On Request			BBS-3F-RD.E40.E00.35.0 (On Request)	BBS-3F-RD.E40.E00.35.3 (On Request)
DN 50	88.00	51.00	48.60	On Request			BBS-3F-RD.E50.E00.35.0 (On Request)	BBS-3F-RD.E50.E00.35.3 (On Request)



TIS BBS-3F Weld End V00.2010-EN

BS-OD Sterile Inline Partial View Flow Indicator / Weld End Connections								
Size	D mm	Da mm	Di mm	L mm	S mm	B mm	BBS Item Key (Part No: EPDM)	BBS Item Key (Part No: FEP)
DN 1/4"	22.10	6.35	4.55	On Request			BBS-3F-RB.K02.K00.35.0 (On Request)	BBS-3F-RB.K02.K00.35.3 (On Request)
DN 3/8"	24.50	9.53	7.75	100.70	25.40	21.00	BBS-3F-RB.K03.K00.35.0 (741181)	BBS-3F-RB.K03.K00.35.3 (741183)
DN 1/2"	31.20	12.70	9.40	107.50	25.40	18.00	BBS-3F-RB.K05.K00.35.0 (730000)	BBS-3F-RB.K05.K00.35.3 (741187)
DN 3/4"	36.50	19.05	15.75	120.30	25.40	20.00	BBS-3F-RB.K07.K00.35.0 (741189)	BBS-3F-RB.K07.K00.35.3 (741191)
DN 1"	48.00	25.40	22.10	120.60	25.40	30.00	BBS-3F-RB.K10.K00.35.0 (741193)	BBS-3F-RB.K10.K00.35.3 (741195)
DN 1.1/2"	62.00	12.70	9.40	121.20	18.00	32.00	BBS-3F-RB.K15.K00.35.0 (741199)	BBS-3F-RB.K15.K00.35.3 (741205)
DN 2"	80.00	50.80	47.50	161.20	25.40	48.00	BBS-3F-RB.K20.K00.35.0 (741203)	BBS-3F-RB.K20.K00.35.3 (741205)
DN2.1/2"	88.00	63.50	60.20	165.40	18.00	79.40	BBS-3F-RB.K25.K00.35.0 (741207)	BBS-3F-RB.K25.K00.35.3 (741209)
DN3"	106.00	76.20	72.90	On Request			BBS-3F-RB.K30.K00.35.0 (741211)	BBS-3F-RB.K30.K00.35.3 (741213)
DN4"	127.00	101.60	98.38	262.7	38.10	110.00	BBS-3F-RB.K40.K00.35.0 (741215)	BBS-3F-RB.K40.K00.35.3 (On Request)



DIN Sterile Inline Partial View Flow Indicator / Weld End Connections

Size	D mm	Da mm	Di mm	L mm	S mm	B mm	BBS Item Key (Part No: EPDM)	BBS Item Key (Part No: FEP)
DN 06	21.90	8.00	6.00	93.00	18.00	17.00	BBS-3F-RD.D06.D00.35.0 (741217)	BBS-3F-RD.D06.D00.35.3 (On Request)
DN 08	24.50	10.00	8.00	92.50	18.00	17.00	BBS-3F-RD.D08.D00.35.0 (741219)	BBS-3F-RD.D08.D00.35.3 (On request)
DN 10	31.20	12.00	10.00	92.50	18.00	18.00	BBS-3F-RD.D10.D00.35.0 (741221)	BBS-3F-RD.D10.D00.35.3 (On Request)
DN 15	36.50	19.00	16.00	111.00	18.00	20.00	BBS-3F-RD.D15.D00.35.0 (741224)	BBS-3F-RD.D15.D00.35.3 (741226)
DN 20	48.00	23.00	20.00	109.50	18.00	28.00	BBS-3F-RD.D20.D00.35.0 (741228)	BBS-3F-RD.D20.D00.35.3 (On Request)
DN 25	48.00	29.00	26.00	118.50	18.00	28.00	BBS-3F-RD.D25.D00.35.0 (741232)	BBS-3F-RD.D25.D00.35.3 (741234)
DN 32	62.00	35.00	32.00	On Request			BBS-3F-RD.D32.D00.35.0 (On Request)	BBS-3F-RD.D32.D00.35.3 (On Request)
DN40	78.00	41.00	38.00	On Request			BBS-3F-RD.D40.D00.35.0 (On Request)	BBS-3F-RD.D40.D00.35.3 (741240)
DN 50	96.00	53.00	50.00	On Request			BBS-3F-RD.D50.D00.35.0 (On Request)	BBS-3F-RD.D50.D00.35.3 (741244)

TIS BBS-3F Weld End V00.2010 EN