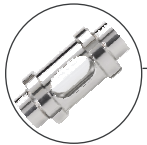




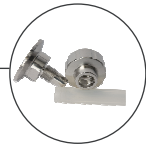
**Hygienic Diaphragm Valve with completely stainless steel actuator suitable for the most rugged environments. DN8 to DN150.**

- Fully traceable materials
- Part of the BBS modular system
- High quality construction

Hygienic Processing Components.....



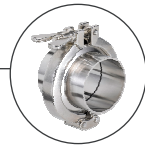
**Type BBS-3F**  
Flow Indicators



**Type BBS-04**  
Hose Systems



**Type BBS-10**  
Ball Check Valves



**Type BBS-05**  
Sterile Quick Connect



**Type 8221**  
Conductivity



**Type 8650**  
Process Automation

The stainless steel diaphragm valve actuators type MM from BBS Systems are equipped as standard with the following features:

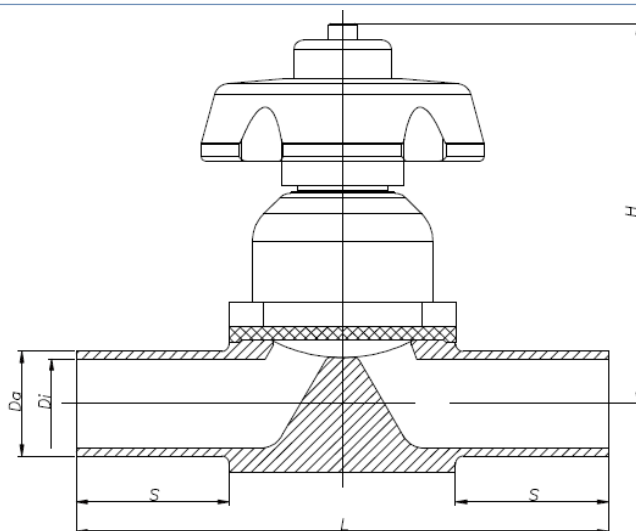
- Stainless steel travel limit for continuous regulation
- Position Indicator
- Fully autoclavable
- Travel stop above and below
- Acid and alkali resistant
- Suitable for all commercially available valve bodies
- Electro polished (Standard)
- Non-ferrous metal free

These valves are intended for use in many applications including those in the following segments:

Pharmaceutical  
Biotechnology  
Food and Beverage  
Cosmetic

Technical Overview	
Available Sizes/Standards	ISO DN08 to DN150 DIN DN10....DN100 BSOD/ASME BPE ½" to 4" Weld end or Clamp Connection Customer specific on request
Materials	<b>Body:</b> Stainless Steel 316L 1.4435 BN2 Special materials On Request <b>Diaphragm:</b> EPDM, PTFE, TFM Special materials On Request
Actuator Material	316L Stainless Steel
Internal Surface Finish External Surface Finish	Ra ≤ 0.8 µm Standard Electropolished Standard Higher quality On Request
Process Temperature Ambient Temperature	-10 to + 140 °C -10 to +80 °C
Media	Gases or Liquids. < 10 Bar both sides
Certification Available	Material 3.1, FDA, USP VI

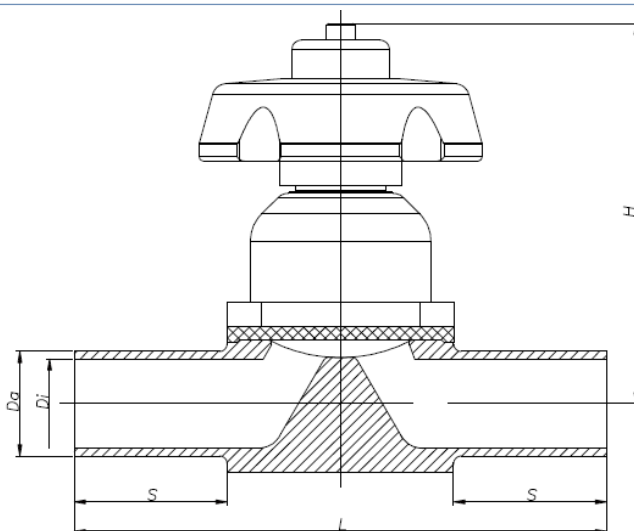
TIS BBS-09 2/2 May DV St Act Manual V00.2010 EN



ISO / Diaphragm Valve 2/2 Way St/St Manual Actuator / Weld End

Size	Da mm	Di mm	L mm	H mm	S mm	BBS Item Key (Item No. EPDM)	BBS Item Key (Item No. FEP)
DN 08	13.50	10.30	72.00	66.30	20.00	BBS-09-AA.W08.W08.35.0.MM (On Request)	BBS-09-AA.W08.W08.35.3.MM (736336)
DN 10	17.20	14.00	108.00	99.00	31.00	BBS-09-AA.W10.W10.35.0.MM (736370)	BBS-09-AA.W10.W10.35.3.MM (736379)
DN 15	21.30	18.10	108.00	101.00	31.00	BBS-09-AA.W15.W15.35.0.MM (736421)	BBS-09-AA.W15.W15.35.3.MM (736429)
DN 20	26.90	23.70	120.00	154.00	25.00	BBS-09-AA.W20.W20.35.0.MM (On Request)	BBS-09-AA.W20.W20.35.3.MM (736473)
DN 25	33.70	29.70	120.00	158.00	25.00	BBS-09-AA.W25.W25.35.0.MM (On Request)	BBS-09-AA.W25.W25.35.3.MM (On Request)
DN 32	42.40	38.40	153.00	199.00	30.00	BBS-09-AA.W32.W32.35.0.MM (On Request)	BBS-09-AA.W32.W32.35.3.MM (On Request)
DN 40	48.30	44.30	153.00	204.00	30.00	BBS-09-AA.W40.W40.35.0.MM (On Request)	BBS-09-AA.W40.W40.35.3.MM (736581)
DN 50	60.30	56.30	173.00	235.00	40.00	BBS-09-AA.W50.W50.35.0.MM (736610)	BBS-09-AA.W50.W50.35.3.MM (736618)
DN65	76.10	72.10	216.00	245.00	41.00	BBS-09-AA.W65.W65.35.0.MM (On Request)	BBS-09-AA.W65.W65.35.3.MM (On Request)
DN 80	88.90	84.30	244.00	260.00	40.00	BBS-09-AA.W80.W80.35.0.MM (On Request)	BBS-09-AA.W80.W80.35.3.MM (On Request)
DN 100	114.30	109.10	350.00	278.00	55.00	BBS-09-AA.W100.W100.35.0.MM (On Request)	BBS-09-AA.W100.W100.35.3.MM (On Request)
DN 150	168.30	163.10	396.00	345.00	90.00	BBS-09-AA.W150.W150.35.0.MM (On Request)	BBS-09-AA.W150.W150.35.3.MM (On Request)

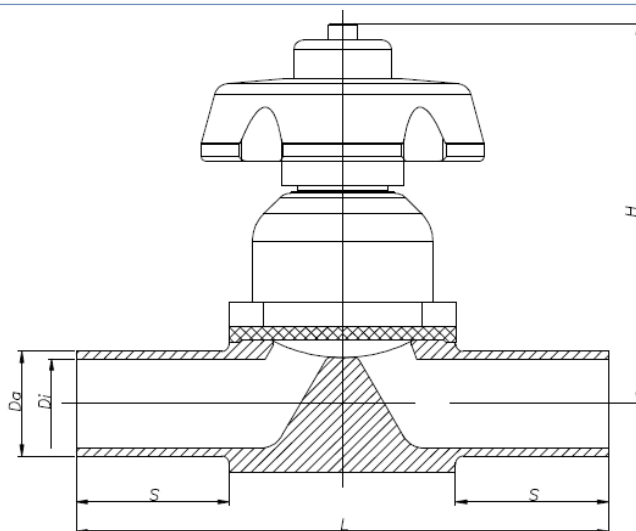
TIS BBS-09 2/2 Way DV St\_St Act Manual V00.2010 EN



**BS-OD / Diaphragm Valve 2/2 Way St/St Manual Actuator / Weld End**

Size	Da mm	Di mm	L mm	H mm	S mm	BBS Item Key (Item No. EPDM)	BBS Item Key (Item No. FEP)
DN 1/4"	6.35	4.57	72.00	63.30	20.00	BBS-09-AA.Y02.Y02.35.0.MM (On Request)	BBS-09-AA.Y02.Y02.35.3.MM (On Request)
DN 3/8"	9.53	7.75	88.90	66.30	20.00	BBS-09-AA.Y03.Y03.35.0.MM (On Request)	BBS-09-AA.Y03.Y03.35.3.MM (On Request)
DN 1/2"	12.70	9.40	88.90	66.30	28.45	BBS-09-AA.Y05.Y05.35.0.MM (On Request)	BBS-09-AA.Y05.Y05.35.3.MM (736708)
DN 3/4"	19.05	15.75	121.90	99.50	37.95	BBS-09-AA.Y07.Y07.35.0.MM (736729)	BBS-09-AA.Y07.Y07.35.3.MM (736737)
DN 1"	25.40	22.10	147.30	155.70	39.15	BBS-09-AA.Y10.Y10.35.0.MM (736764)	BBS-09-AA.Y10.Y10.35.3.MM (On Request)
DN 1.1/2"	38.10	34.80	170.20	199.00	38.60	BBS-09-AA.Y15.Y15.35.0.MM (On Request)	BBS-09-AA.Y15.Y15.35.3.MM (On Request)
DN 2"	50.80	47.50	190.50	209.00	48.75	BBS-09-AA.Y20.Y20.35.0.MM (On Request)	BBS-09-AA.Y20.Y20.35.3.MM (736818)
DN 2.1/2"	63.50	60.20	173.00	222.30	32.50	BBS-09-AA.Y25.Y25.35.0.MM (On Request)	BBS-09-AA.Y25.Y25.35.3.MM (On Request)
DN3"	76.20	72.90	216.00	244.00	41.00	BBS-09-AA.Y30.Y30.35.0.MM (On Request)	BBS-09-AA.Y30.Y30.35.3.MM (On Request)
DN 4"	101.60	97.38	On Request			BBS-09-AA.Y40.Y40.35.0.MM (On Request)	BBS-09-AA.Y40.Y40.35.3.MM (On Request)

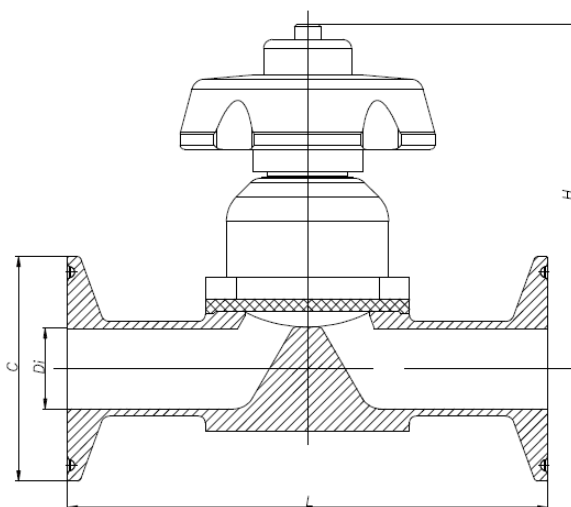
TIS BBS-09 2/2 Way DV St\_St Act Manual V00.2010 EN



**DIN / Diaphragm Valve 2/2 Way St/St Manual Actuator / Weld End**

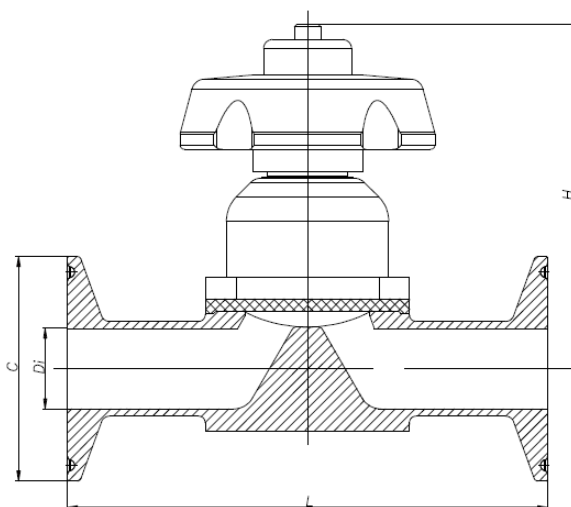
Size	Da mm	Di mm	L mm	H mm	S mm	BBS Item Key (Item No. EPDM)	BBS Item Key (Item No. FEP)
DN 04	6.00	4.00	72.00	60.80	20.00	BBS-09-AA.V04.V04.35.0.MM (On Request)	BBS-09-AA.V04.V04.35.3.MM (On Request)
DN 06	8.00	6.00	72.00	61.30	20.00	BBS-09-AA.V06.V06.35.0.MM (On Request)	BBS-09-AA.V06.V06.35.3.MM (On Request)
DN 08	10.00	8.00	72.00	66.10	20.00	BBS-09-AA.V08.V08.35.0.MM (On Request)	BBS-09-AA.V08.V08.35.3.MM (On Request)
DN 10	12.00	10.00	72.00	66.10	20.00	BBS-09-AA.V10.V10.35.0.MM (On Request)	BBS-09-AA.V10.V10.35.3.MM (On Request)
DN 15	19.00	16.00	108.00	101.00	20.00	BBS-09-AA.V15.V15.35.0.MM (736215)	BBS-09-AA.V15.V15.35.3.MM (736223)
DN 20	23.00	20.00	120.00	149.00	20.00	BBS-09-AA.V20.V20.35.0.MM (On Request)	BBS-09-AA.V20.V20.35.3.MM (On Request)
DN 25	29.00	26.00	120.00	158.50	25.00	BBS-09-AA.V25.V25.35.0.MM (On Request)	BBS-09-AA.V25.V25.35.3.MM (736620)
DN 32	35.00	32.00	153.00	179.00	30.00	BBS-09-AA.V32.V32.35.0.MM (On Request)	BBS-09-AA.V32.V32.35.3.MM (On Request)
DN 40	41.00	38.00	153.00	201.00	30.00	BBS-09-AA.V40.V40.35.0.MM (736286)	BBS-09-AA.V40.V40.35.3.MM (On Request)
DN 50	53.00	50.00	173.00	219.20	32.50	BBS-09-AA.V50.V50.35.0.MM (On Request)	BBS-09-AA.V50.V50.35.3.MM (On Request)
DN 65	70.00	65.00	216.00	246.00	41.00	BBS-09-AA.V65.V65.35.0.MM (On Request)	BBS-09-AA.V65.V65.35.3.MM (On Request)
DN 80	85.00	81.00	On Request			BBS-09-AA.V80.V80.35.0.MM (On Request)	BBS-09-AA.V80.V80.35.3.MM (On Request)
DN 100	104.00	100.00	On Request			BBS-09-AA.V100.V100.35.0.MM (On Request)	BBS-09-AA.V100.V100.35.3.MM (On Request)

TIS BBS-09 2/2 Way DV St\_St Act Manual V00.2010 EN



ISO / Diaphragm Valve 2/2 Way St/St Manual Actuator / Clamp Connection

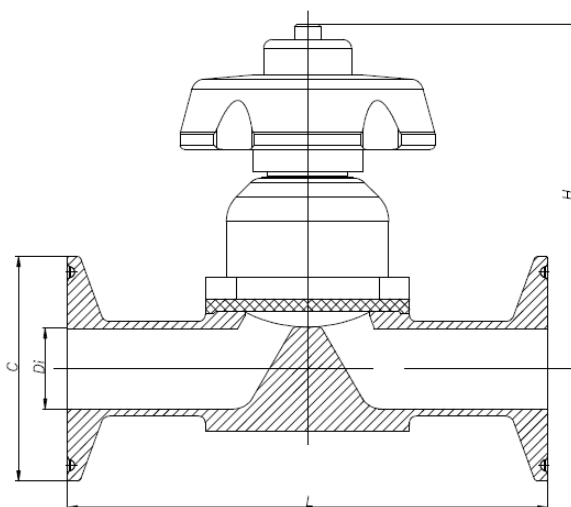
Size	C mm	Da mm	Di mm	L mm	H mm	BBS Item Key (Item No. EPDM)	BBS Item Key (Item No. FEP)
DN 08	25.00	13.50	10.30	63.50	77.80	BBS-09-AF.W08.W08.35.0.MM (On Request)	BBS-09-AF.W08.W08.35.3.MM (On Request)
DN 10	25.00	17.20	14.00	108.00	97.00	BBS-09-AF.W10.W10.35.0.MM (737699)	BBS-09-AF.W10.W10.35.3.MM (737708)
DN 15	50.50	21.30	18.10	108.00	99.00	BBS-09-AFW15.W15.35.0.MM (On Request)	BBS-09-AF.W15.W15.35.3.MM (7377166)
DN 20	50.50	26.90	23.70	120.00	121.00	BBS-09-AF.W20.W20.35.0.MM (On Request)	BBS-09-AF.W20.W20.35.3.MM (On Request)
DN 25	50.50	33.70	29.70	120.00	125.00	BBS-09-AF.W25.W25.35.0.MM (On Request)	BBS-09-AF.W25.W25.35.3.MM (737740)
DN 32	64.00	42.40	38.40	153.00	147.00	BBS-09-AF.W32.W32.35.0.MM (On Request)	BBS-09-AF.W32.W32.35.3.MM (On Request)
DN 40	64.00	48.30	44.30	153.00	152.00	BBS-09-AF.W40.W40.35.0.MM (On Request)	BBS-09-AF.W40.W40.35.3.MM (On Request)
DN 50	77.50	60.30	56.30	173.00	183.00	BBS-09-AF.W50.W50.35.0.MM (On Request)	BBS-09-AF.W50.W50.35.3.MM (On Request)
DN65	91.00	76.10	71.50	On Request		BBS-09-AF.W65.W65.35.0.MM (On Request)	BBS-09-AF.W65.W65.35.3.MM (On Request)
DN 80	106.00	88.90	84.30	On Request		BBS-09-AF.W80.W80.35.0.MM (On Request)	BBS-09-AF.W80.W80.35.3.MM (On Request)
DN 100	130.00	114.30	109.10	On Request		BBS-09-AF.W100.W100.35.0.MM (On Request)	BBS-09-AF.W100.W100.35.3.MM (On Request)



**BS-OD / Diaphragm Valve 2/2 Way St/St Manual Actuator / Clamp Connection**

Size	C mm	Da mm	Di mm	L mm	H mm	BBS Item Key (Item No. EPDM)	BBS Item Key (Item No. FEP)
DN 1/4"	25.00	6.35	4.57	63.50	75.30	BBS-09-AF.Y02.Y02.35.0.MM (On Request)	BBS-09-AF.Y02.Y02.35.3.MM (On Request)
DN 3/8"	25.0	9.53	7.75	63.50	76.80	BBS-09-AF.Y03.Y03.35.0.MM (On Request)	BBS-09-AF.Y03.Y03.35.3.MM (On Request)
DN 1/2"	25.00	12.70	9.40	63.50	78.30	BBS-09-AF.Y05.Y05.35.0.MM (737780)	BBS-09-AF.Y05.Y05.35.3.MM (737788)
DN 3/4"	25.00	19.05	15.75	101.60	97.50	BBS-09-AF.Y07.Y07.35.0.MM (On Request)	BBS-09-AF.Y07.Y07.35.3.MM (737809)
DN 1"	50.50	25.40	22.10	114.30	125.50	BBS-09-AF.Y10.Y10.35.0.MM (On Request)	BBS-09-AF.Y10.Y10.35.3.MM (737821)
DN 1.1/2"	50.50	38.10	34.80	139.70	137.00	BBS-09-AF.Y15.Y15.35.0.MM (On Request)	BBS-09-AF.Y15.Y15.35.3.MM (737837)
DN 2"	64.00	50.80	47.50	158.70	157.00	BBS-09-AF.Y20.Y20.35.0.MM (On Request)	BBS-09-AF.Y20.Y20.35.3.MM (737849)
DN 2.1/2"	77.50	63.50	60.20	On Request		BBS-09-AF.Y25.Y25.35.0.MM (On Request)	BBS-09-AF.Y25.Y25.35.3.MM (On Request)
DN3"	91.00	76.20	72.90	On Request		BBS-09-AF.Y30.Y30.35.0.MM (On Request)	BBS-09-AF.Y30.Y30.35.3.MM (On Request)
DN 4"	119.00	101.60	97.38	350.00	364.80	BBS-09-AF.Y40.Y40.35.0.MM (On Request)	BBS-09-AF.Y40.Y40.35.3.MM (On Request)

TIS BBS-09 2/2 Way DV St\_St Act Manual V00.2010 EN



**DIN / Diaphragm Valve 2/2 Way St/St Manual Actuator / Clamp Connection**

Size	C mm	Da mm	Di mm	L mm	H mm	BBS Item Key (Item No. EPDM)	BBS Item Key (Item No. FEP)
DN 04	25.00	6.00	4.00	63.50	78.30	BBS-09-AF.V04.V00.35.0.MM (On Request)	BBS-09-AF.V04.V00.35.3.MM (On Request)
DN 06	25.00	8.00	6.00	63.50	78.30	BBS-09-AF.V06.V00.35.0.MM (On Request)	BBS-09-AF.V06.V00.35.3.MM (On Request)
DN 08	25.00	10.00	8.00	63.50	78.30	BBS-09-AF.V08.V00.35.0.MM (On Request)	BBS-09-AF.V08.V00.35.3.MM (On Request)
DN 10	34.00	12.00	10.00	63.50	78.30	BBS-09-AF.V10.V00.35.0.MM (736632)	BBS-09-AF.V10.V00.35.3.MM (On Request)
DN 15	34.00	19.00	16.00	108.00	97.50	BBS-09-AF.V15.V00.35.0.MM (On Request)	BBS-09-AF.V15.V00.35.3.MM (On Request)
DN 20	34.00	23.00	20.00	114.30	125.50	BBS-09-AF.V20.V00.35.0.MM (On Request)	BBS-09-AF.V20.V00.35.3.MM (On Request)
DN 25	50.50	29.00	26.00	114.30	125.50	BBS-09-AF.V25.V00.35.0.MM (On Request)	BBS-09-AF.V25.V00.35.3.MM (On Request)
DN 32	64.00	35.00	32.00	139.70	137.00	BBS-09-AF.V32.V00.35.0.MM (On Request)	BBS-09-AF.V32.V00.35.3.MM (On Request)
DN 40	64.00	41.00	38.00	139.70	137.00	BBS-09-AF.V40.V00.35.0.MM (On Request)	BBS-09-AF.V40.V00.35.3.MM (On Request)
DN 50	77.50	53.00	50.00	158.70	157.00	BBS-09-AF.V50.V0035.0.MM (On Request)	BBS-09-AF.V50.V00.35.3.MM (On Request)
DN 65	91.00	70.00	65.00	On Request		BBS-09-AF.V65.V00.35.0.MM (On Request)	BBS-09-AF.V65.V00.35.3.MM (On Request)
DN 80	106.00	85.00	81.00	On Request		BBS-09-AF.V80.V00.35.0.MM (On Request)	BBS-09-AF.V80.V00.35.3.MM (On Request)
DN 100	130.00	104.00	100.00	348.90	364.80	BBS-09-AF.V100.V00.35.0.MM (On Request)	BBS-09-AF.V100.V00.35.3.MM (On Request)

TIS BBS-09 2/2 Way DV St St Act Manual V00.2010 EN