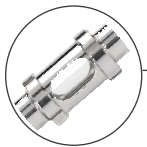


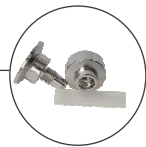
Sterile quick connections with clamp assembly for biopharmaceutical applications.

- Optimum design according to ASME BPE recommendation
- Crevice free system
- Fully traceable materials
- Part of the BBS modular system

Hygienic Processing Components.....



Type BBS-3F
Flow Indicators



Type BBS-04
Hose Systems



Type BBS-10
Ball Check Valves



Type 2103
Diaphragm Valve



Type 8221
Conductivity



Type 8650
Process Automation

TIS BBS-05 Quick Connect V00.2010 EN

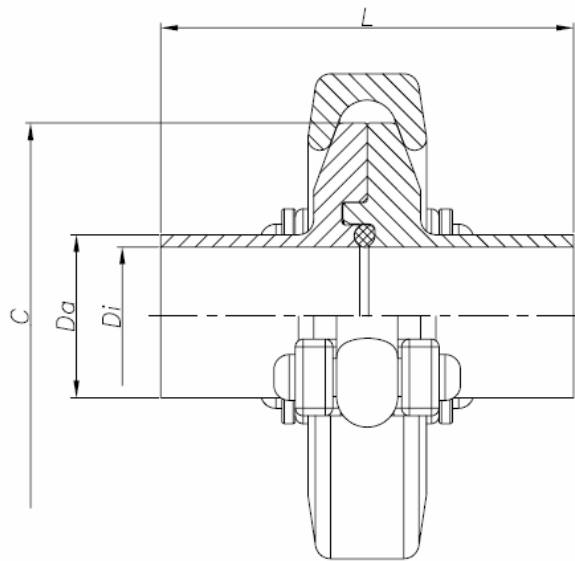
The BBS sterile quick connect is a crevice free connection which has been developed with sterile applications firmly in the mind. It is available in virtually all sizes, standards and configurations it means you can optimize conditions inside your process whilst you are maintaining security on the outside according to different requirements.

In addition to the quick connect we offer sterile unions (threaded connections -Type BBS-03) and sterile flanged connections (Type BBS-06) for maximum security.

The design incorporates use of a standard dimension o-ring which gives flexibility of material choice.

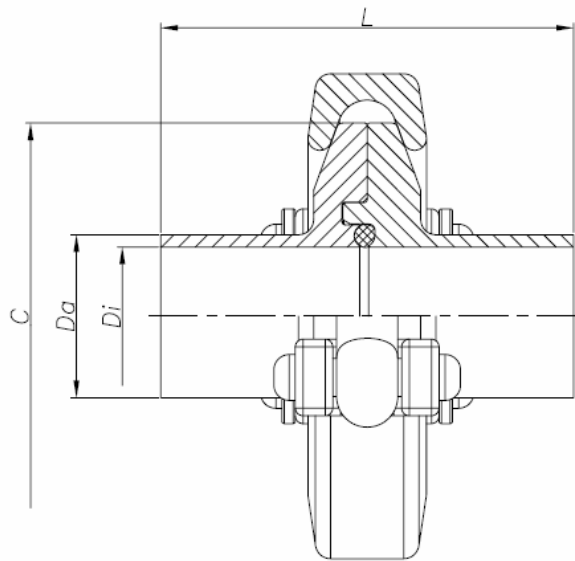
Optimized design for all hygienic applications.

Technical Overview	
Available Sizes Standards	ISO DN08 to DN100 SMS DN06 to DN100 BS-OD DN1/2" to DN4" DIN DN06 to DN100 Larger sizes on request
Material	1.4435 BN2 St/St, 316L Customized special materials on request
Surface Finish	≤ 0.8Ra Standard Internal Finish Higher quality finish available on request
Working Pressure	-1 to + 8 Bar (Higher upon request)
Process Temperature	According to sealing material < 140 Degrees C
Ambient Temperature	-20 to + 80 Degrees C
Media	Gases or Liquids
Certification Available	Full Material Traceability, FDA, USP



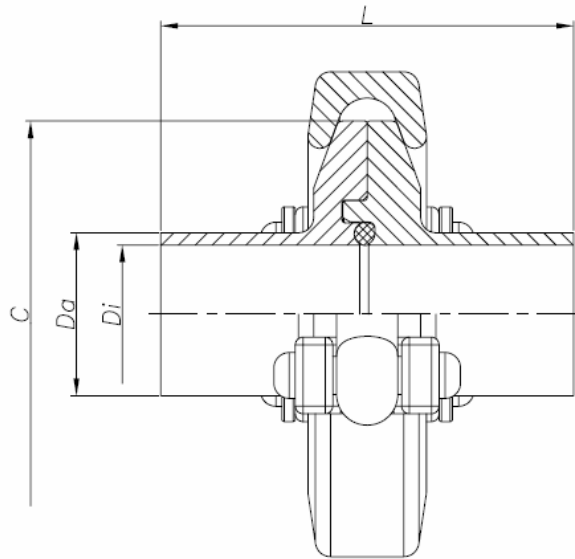
ISO Sterile Quick Connect / 316 Stainless Steel

Size	C mm	Da mm	Di mm	L mm	BBS Item Key (Part No: EPDM)	BBS Item Key (Part No: FEP)
DN08	25.00	13.50	10.30	54.00	BBS-05-AA.U08.U00.35.0 (730648)	BBS-05-AA.U08.U00.35.3 (730650)
DN10	25.00	17.20	14.00	54.00	BBS-05-AA.U10.U00.35.0 (730658)	BBS-05-AA.U10.U00.35.3 (730660)
DN15	50.50	21.30	18.10	54.00	BBS-05-AA.U15.U00.35.0 (730679)	BBS-05-AA.U15.U00.35.3 (730683)
DN20	50.50	26.90	23.70	54.00	BBS-05-AA.U20.U00.35.0 (730693)	BBS-05-AA.U20.U00.35.3 (730695)
DN25	50.50	33.70	29.70	54.00	BBS-05-AA.U25.U00.35.0 (730703)	BBS-05-AA.U25.U00.35.3 (730707)
DN32	64.00	42.40	38.40	60.00	BBS-05-AA.U32.U00.35.0 (730712)	BBS-05-AA.U32.U00.35.3 (730714)
DN40	64.00	48.30	44.30	60.00	BBS-05-AA.U40.U00.35.0 (730722)	BBS-05-AA.U40.U00.35.3 (730724)
DN50	77.50	60.30	56.30	60.00	BBS-05-AA.U50.U00.35.0 (730730)	BBS-05-AA.U50.U00.35.3 (730732)
DN65	91.00	76.10	72.10	60.00	BBS-05-AA.U65.U00.35.0 (730738)	BBS-05-AA.U65.U00.35.3 (730740)
DN80	106.00	88.90	84.30	60.00	BBS-05-AA.U80.U00.35.0 (730748)	BBS-05-AA.U80.U00.35.3 (On Request)
DN100	144.50	114.30	109.70	60.00	BBS-05-AA.U100.U00.35.0 (730666)	BBS-05-AA.U100.U00.35.3 (730668)



SMS Sterile Quick Connect / 316 Stainless Steel

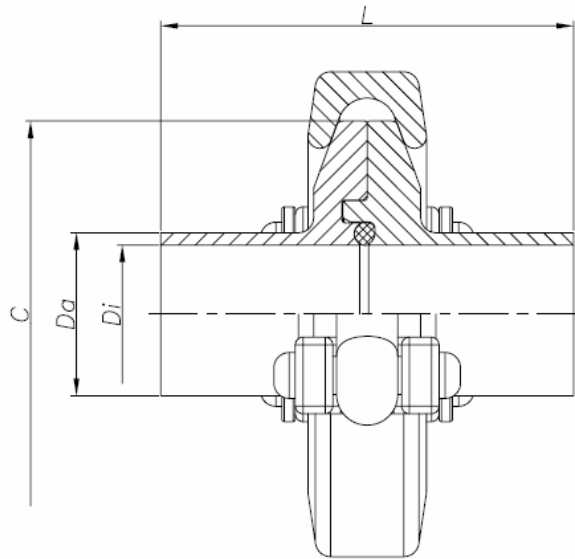
Size	C mm	Da mm	Di mm	L mm	BBS Item Key (Part No: EPDM)	BBS Item Key (Part No: FEP)
DN 06	25.00	8.00	6.00	54.00	BBS-05-AA.L06.L00.35.0 (On Request)	BBS-05-AA.L06.L00.35.3 (On Request)
DN 08	25.00	10.00	8.00	54.00	BBS-05-AA.L08.L00.35.0 (On Request)	BBS-05-AA.L08.L00.35.3 (On Request)
DN 10	25.00	12.00	10.00	54.00	BBS-05-AA.L10.L00.35.0 (730541)	BBS-05-AA.L10.L00.35.3 (On Request)
DN 15	25.00	18.00	16.00	54.00	BBS-05-AA.L15.L00.35.0 (730545)	BBS-05-AA.L15.L00.35.3 (730547)
DN 20	50.50	23.00	20.00	54.00	BBS-05-AA.L20.L00.35.0 (730549)	BBS-05-AA.L20.L00.35.3 (730551)
DN 25	50.50	25.00	22.60	54.00	BBS-05-AA.L25.L00.35.0 (730553)	BBS-05-AA.L25.L00.35.3 (730555)
DN 32	64.00	32.00	29.60	60.00	BBS-05-AA.L32.L00.35.0 (730557)	BBS-05-AA.L32.L00.35.3 (730559)
DN40	64.00	38.00	35.60	60.00	BBS-05-AA.L40.L00.35.0 (730563)	BBS-05-AA.L40.L00.35.3 (On Request)
DN 50	77.50	51.00	48.60	60.00	BBS-05-AA.L50.L00.35.0 (730567)	BBS-05-AA.L50.L00.35.3 (On Request)
DN65	91.00	63.50	60.30	60.00	BBS-05-AA.L65.L00.35.0 (730570)	BBS-05-AA.L65.L00.35.3 (On Request)
DN80	106.00	76.10	72.90	60.00	BBS-05-AA.L80.L00.35.0 (730574)	BBS-05-AA.L80.L00.35.3 (On Request)
DN100	On Request				BBS-05-AA.L100.L00.35.0 (On Request)	BBS-05-AA-L100.L00.35.3 (On Request)



BS-OD Sterile Quick Connect / 316 Stainless Steel

Size	C mm	Da mm	Di mm	L mm	BBS Item Key (Part No: EPDM)	BBS Item Key (Part No: FEP)
DN 1/4"	25.00	6.35	4.57	54.00	BBS-05-AA.Q02.Q00.35.0 (730576)	BBS-05-AA.Q02.Q00.35.3 (730578)
DN 3/8"	On Request				BBS-05-AA.Q03.Q00.35.0 (On Request)	BBS-05-AA.Q03.Q00.35.3 (On Request)
DN 1/2"	25.00	12.70	9.40	54.00	BBS-05-AA.Q05.Q00.35.0 (730584)	BBS-05-AA.Q05.Q00.35.3 (730586)
DN 3/4"	25.00	19.05	15.75	54.00	BBS-05-AA.Q07.Q00.35.0 (730592)	BBS-05-AA.Q07.Q00.35.3 (730594)
DN 1"	50.50	25.40	22.10	60.00	BBS-05-AA.Q10.Q00.35.0 (730600)	BBS-05-AA.Q10.Q00.35.3 (730602)
DN 1.1/2"	50.50	38.10	34.80	60.00	BBS-05-AA.Q15.Q00.35.0 (730607)	BBS-05-AA.Q15.Q00.35.3 (730609)
DN 2"	64.00	50.80	47.50	60.00	BBS-05-AA.Q20.Q00.35.0 (730615)	BBS-05-AA.Q20.Q00.35.3 (730617)
DN2.1/2"	77.50	63.50	60.20	60.00	BBS-05-AA.Q25.Q00.35.0 (730623)	BBS-05-AA.Q25.Q00.35.3 (730625)
DN3"	91.00	76.20	72.90	60.00	BBS-05-AA.Q30.Q00.35.0 (730631)	BBS-05-AA.Q30.Q00.35.3 (730633)
DN4"	119.00	101.60	97.38	60.00	BBS-05-AA.Q40.Q00.35.0 (730639)	BBS-05-AA.Q40.Q00.35.3 (730641)

TIS BBS-05 Quick Connect V00.2010 EN



DIN Sterile Quick Connect / 316 Stainless Steel

Size	C mm	Da mm	Di mm	L mm	BBS Item Key (Part No: EPDM)	BBS Item Key (Part No: FEP)
DN 06	25.00	8.00	6.00	54.00	BBS-05-AA.X06.X00.35.0 (730753)	BBS-05-AA.X06.X00.35.3 (730755)
DN 08	25.00	10.00	8.00	54.00	BBS-05-AA.X08.X00.35.0 (730757)	BBS-05-AA.X08.X00.35.3 (730759)
DN 10	34.00	12.00	10.00	54.00	BBS-05-AA.X10.X00.35.0 (730765)	BBS-05-AA.X10.X00.35.3 (730767)
DN 15	34.00	19.00	16.00	54.00	BBS-05-AA.X15.X00.35.0 (730781)	BBS-05-AA.X15.X00.35.3 (730783)
DN 20	34.00	23.00	20.00	54.00	BBS-05-AA.X20.X00.35.0 (730789)	BBS-05-AA.X20.X00.35.3 (730791)
DN 25	50.50	29.00	26.00	54.00	BBS-05-AA.X25.X00.35.0 (730799)	BBS-05-AA.X25.X00.35.3 (730800)
DN 32	64.00	35.00	32.00	60.00	BBS-05-AA.X32.X00.35.0 (730806)	BBS-05-AA.X32.X00.35.3 (730808)
DN40	64.00	41.00	38.00	60.00	BBS-05-AA.X40.X00.35.0 (730814)	BBS-05-AA.X40.X00.35.3 (730816)
DN 50	77.50	53.00	50.00	60.00	BBS-05-AA.X50.X00.35.0 (730822)	BBS-05-AA.X50.X00.35.3 (730824)
DN65	91.00	70.00	66.00	60.00	BBS-05-AA.X65.X00.35.0 (730830)	BBS-05-AA.X65.X00.35.3 (730832)
DN80	106.00	85.00	81.00	60.00	BBS-05-AA.X80.X00.35.0 (730838)	BBS-05-AA.X80.X00.35.3 (730840)
DN100	130.00	104.00	100.00	60.00	BBS-05-AA.X100.X00.35.0 (730773)	BBS-05-AA.X100.X00.35.3 (730775)